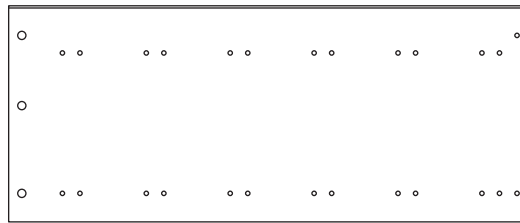




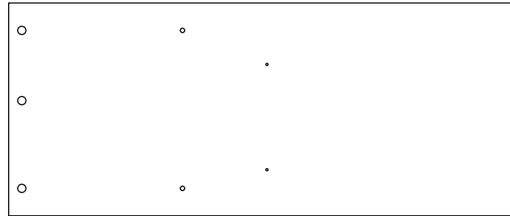
1 945 x 464mm



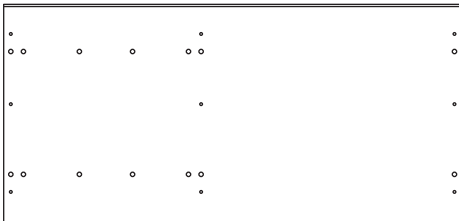
8 935 x 394mm



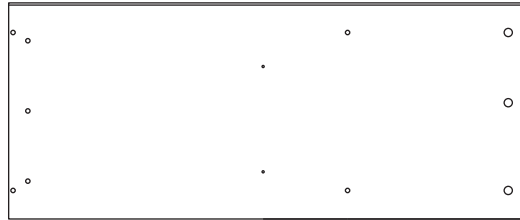
2 945 x 348mm



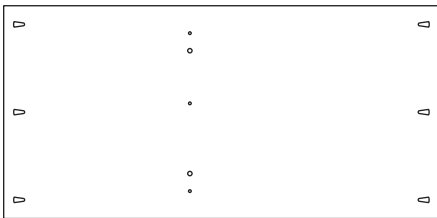
9 920 x 388mm



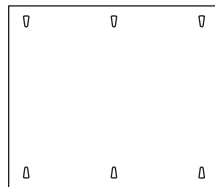
3 835 x 398mm



10 935 x 394mm



4 794 x 388mm



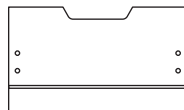
11 332 x 386mm



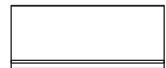
15 292 x 338mm



5 447 x 65mm (6x)



12 325 x 190mm



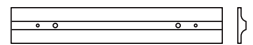
16 279 x 115mm



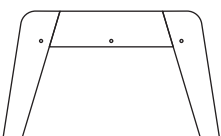
6 447 x 65mm (6x)



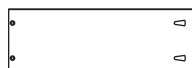
13 340 x 115mm



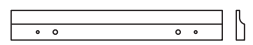
17 385 x 65mm (2x)



7 400 x 230mm (2x)

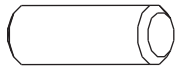


14 340 x 115mm



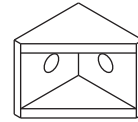
18 385 x 54mm (2x)

A x 8

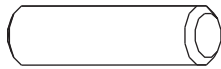


Ø8x20mm

M x 4

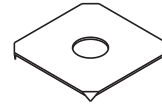


B x 68

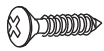


Ø8x30mm

N x 7

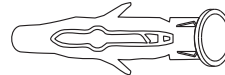


C x 8

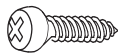


Ø3,0x12mm

P x 1

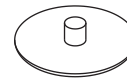


D x 9

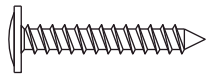


Ø3,5x14mm

Q x 6



E x 8

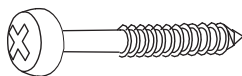


Ø4,0x25mm

R x 6

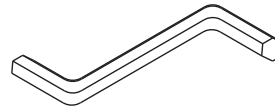


F x 21



Ø4,0x30mm

S x 1

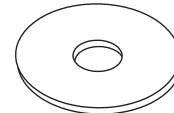


G x 3



Ø4,0x40mm

T x 2



H x 4



Ø6,0x10mm

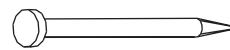
U x 1



J x 9



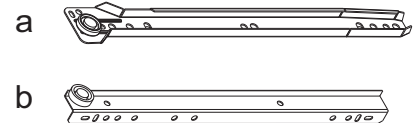
V x 42



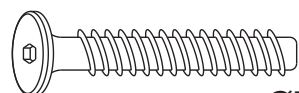
K x 9



W x 1

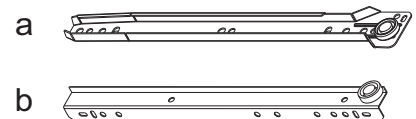


L x 6



Ø7,0x35mm

X x 1



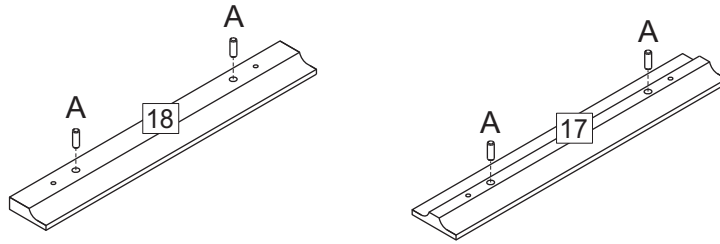
1

2x

Ax8



Ø8x20mm

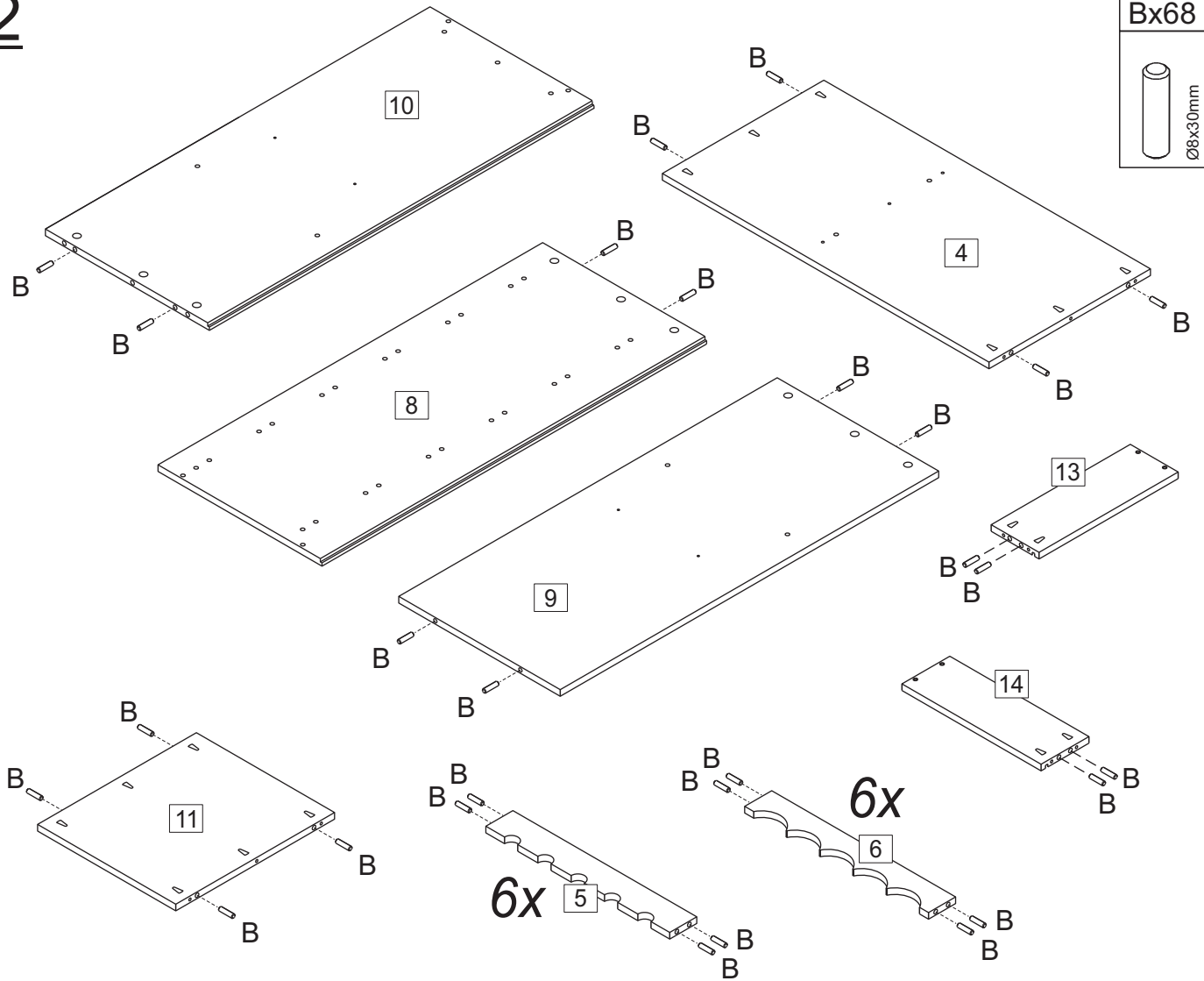


2

Bx68

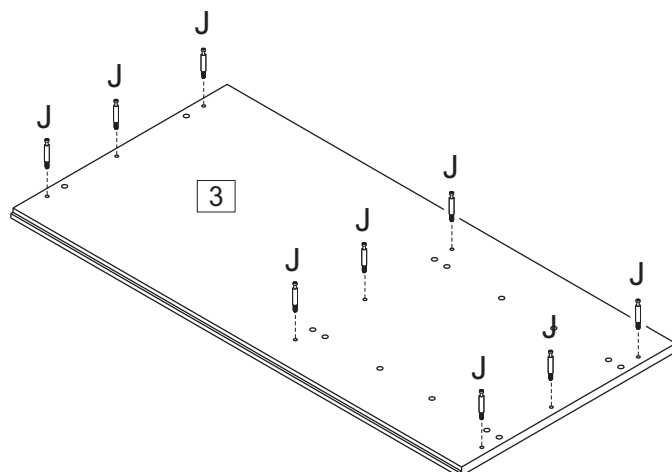
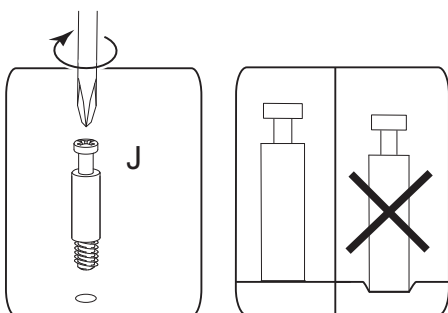
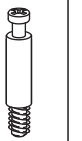


Ø8x30mm



3




Jx9

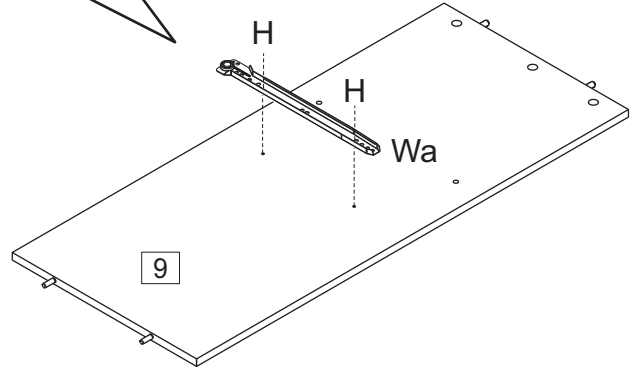
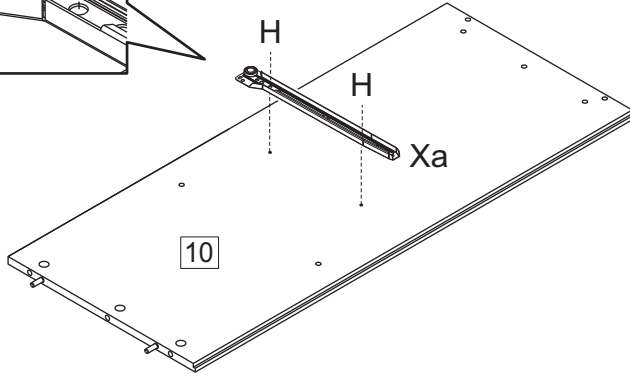
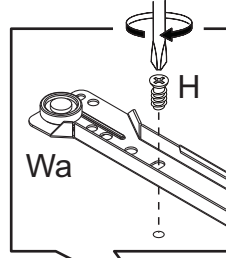
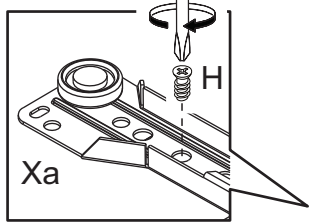


4

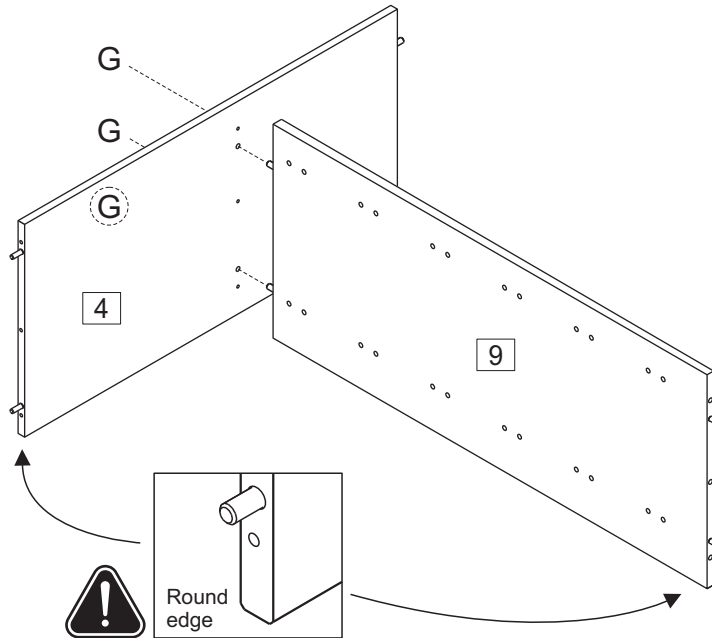
Correct position of the screws.

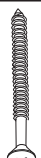


Hx4	Wx1	Xx1
		
Ø6,0x10mm	a	a

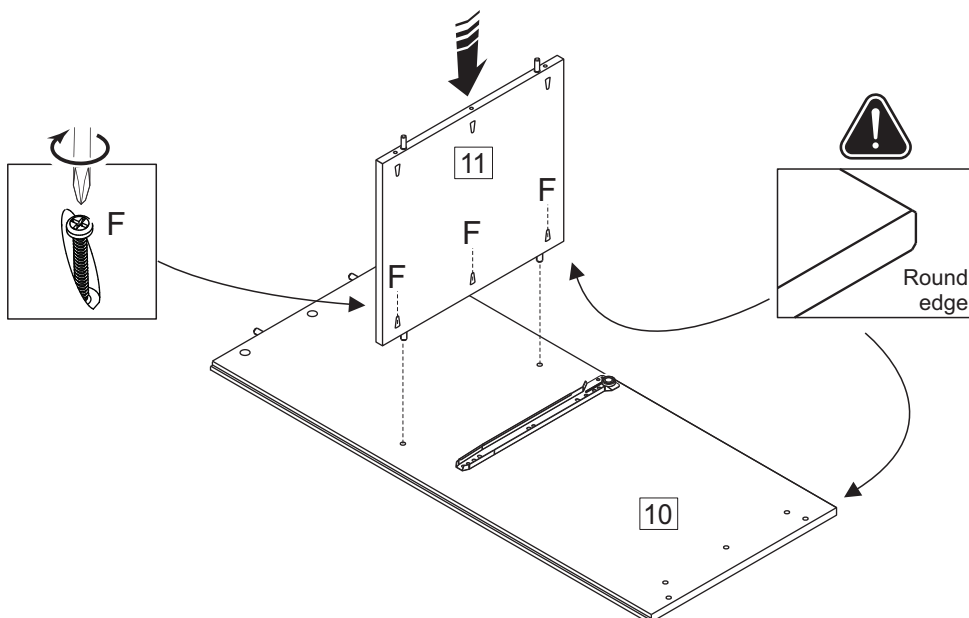


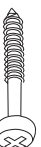
5



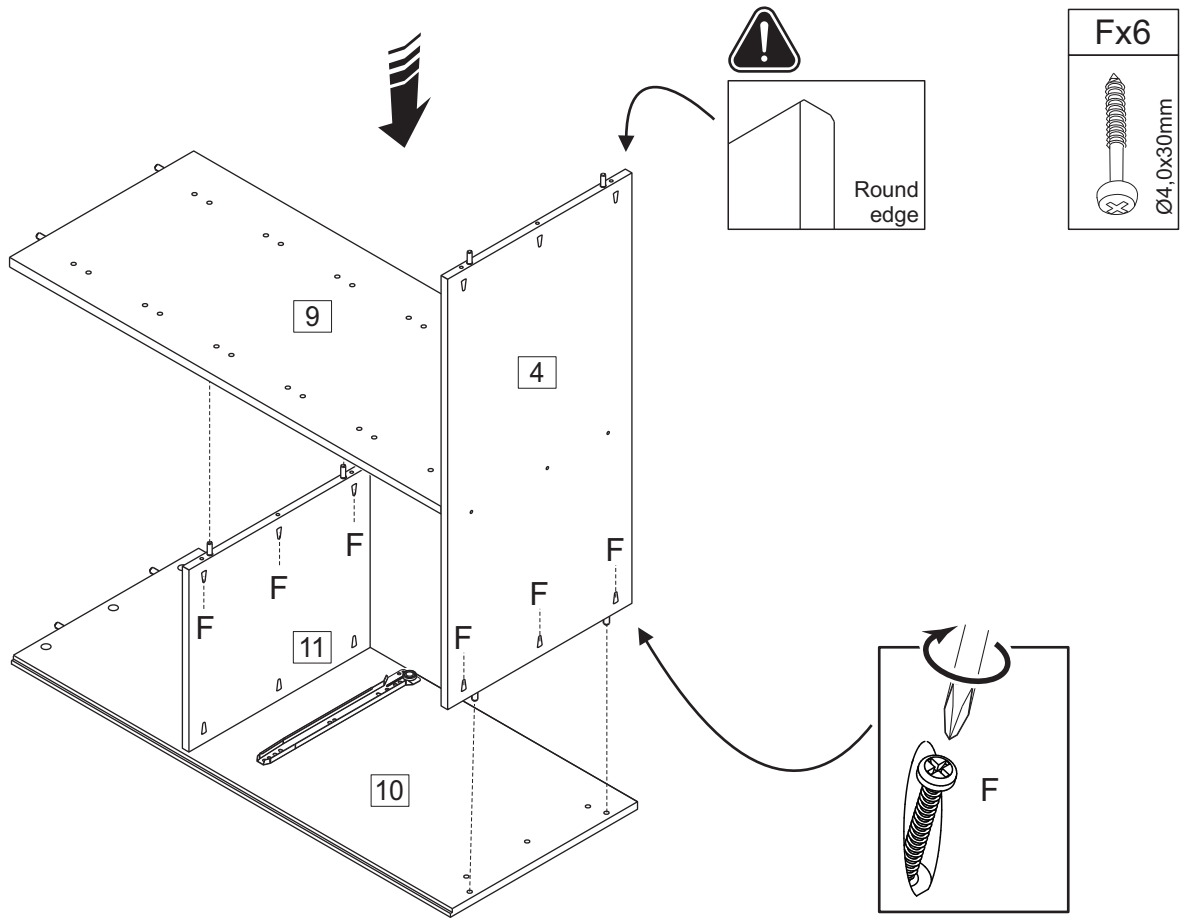
Gx3

Ø4,0x40mm

6

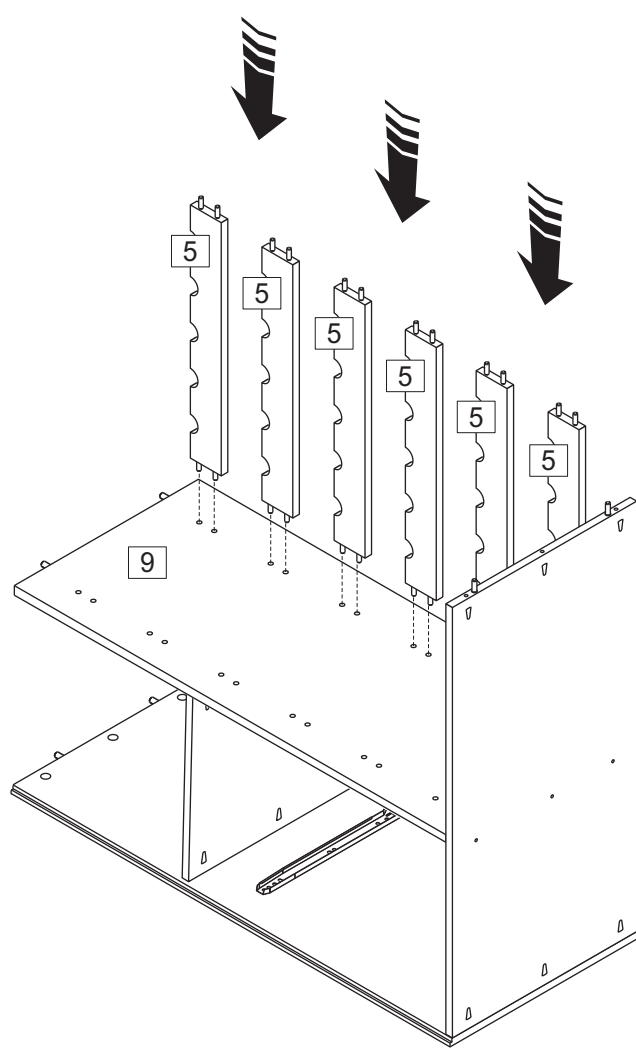


Fx3

Ø4,0x30mm

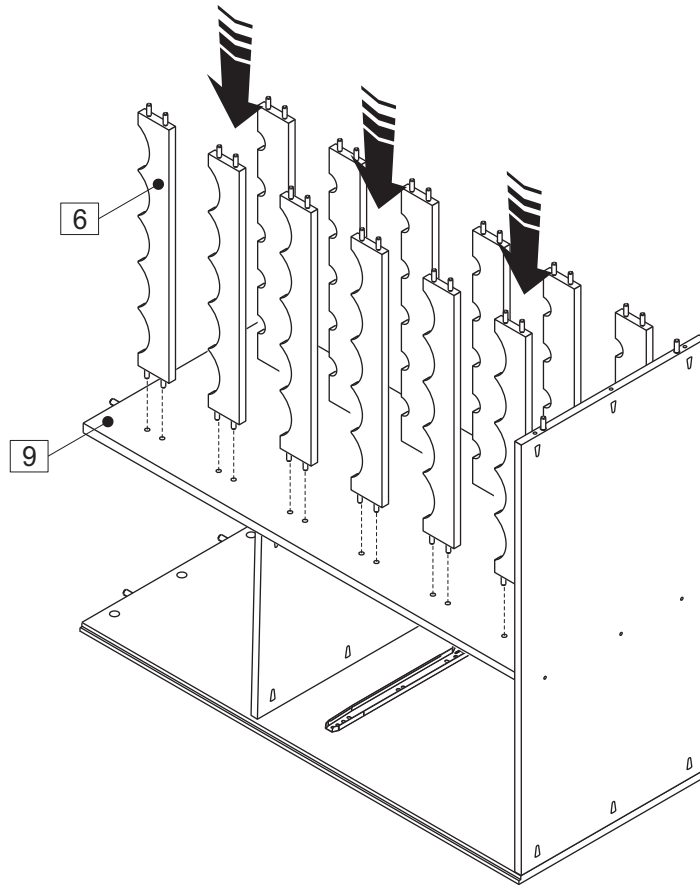
7



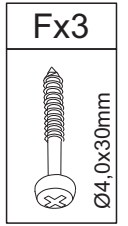
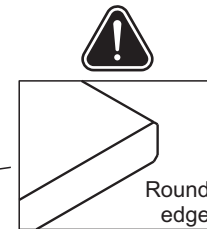
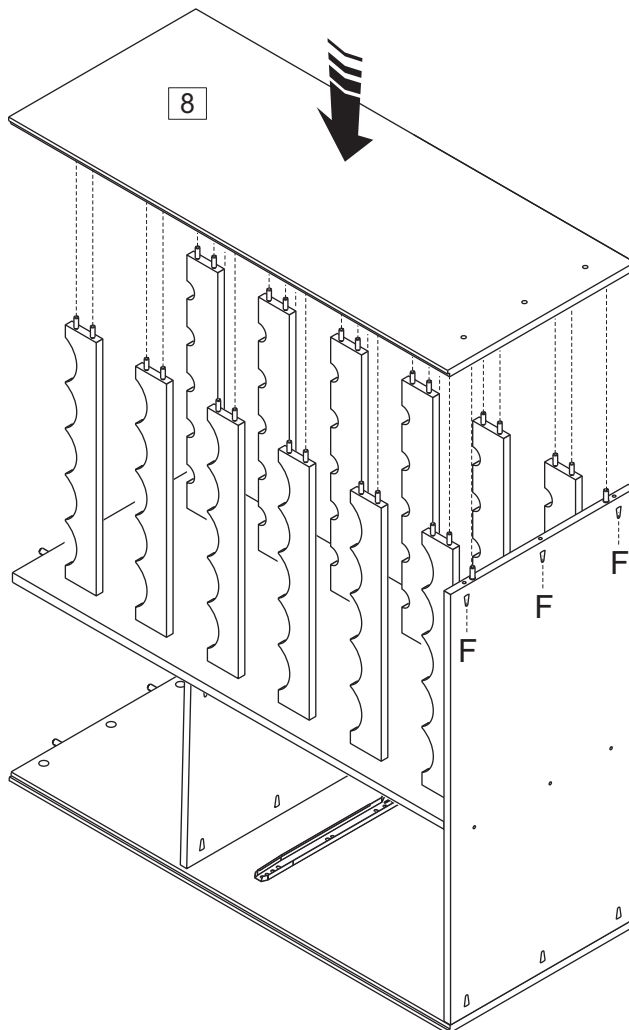
8



9

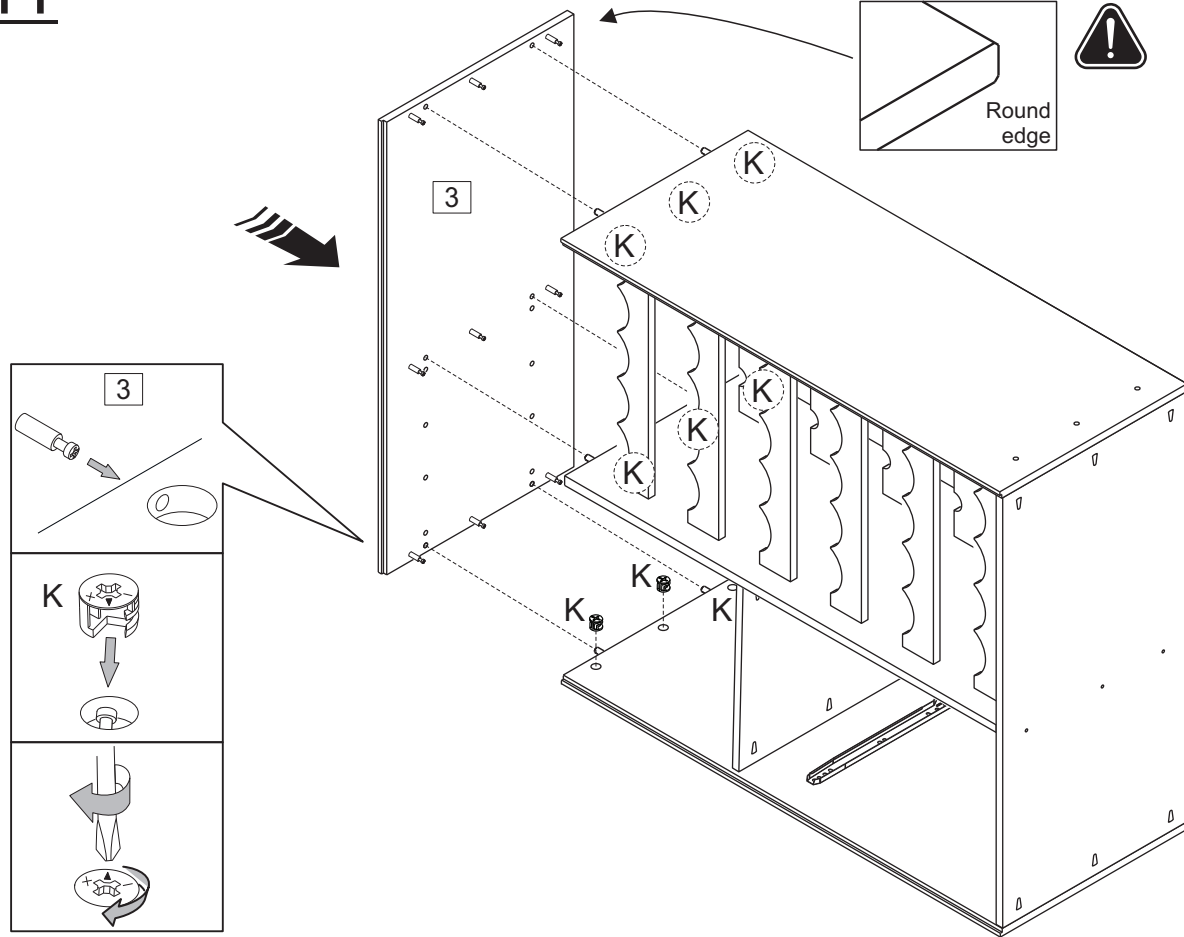


10



11

Kx9



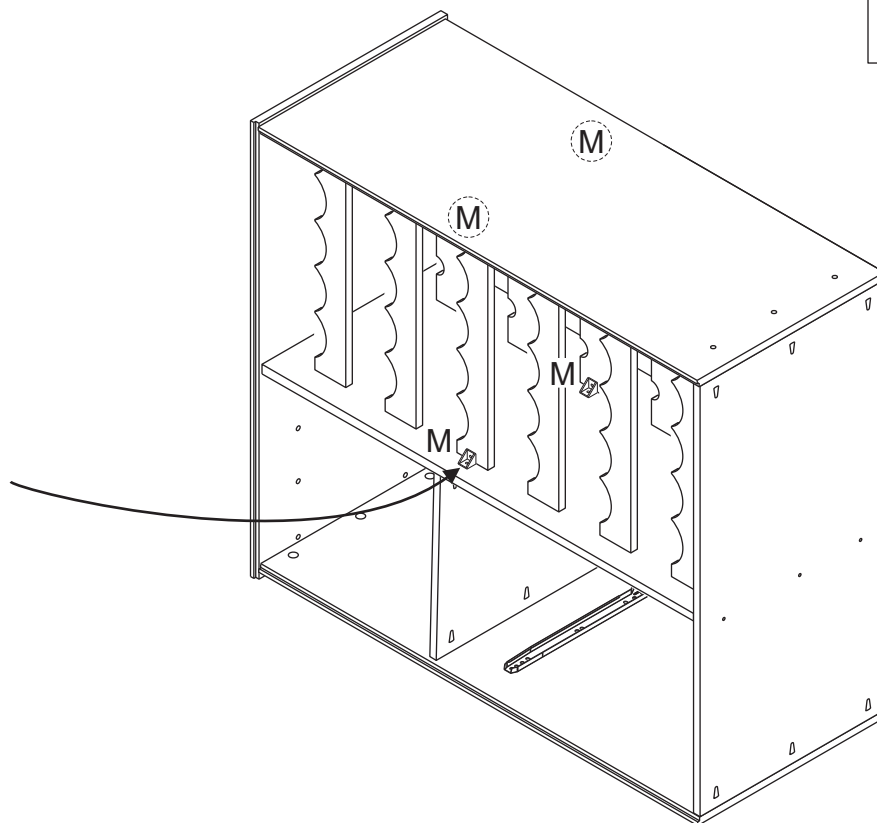
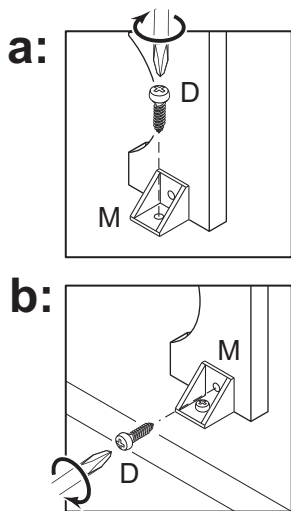
12

Dx8


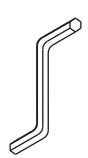
Mx4

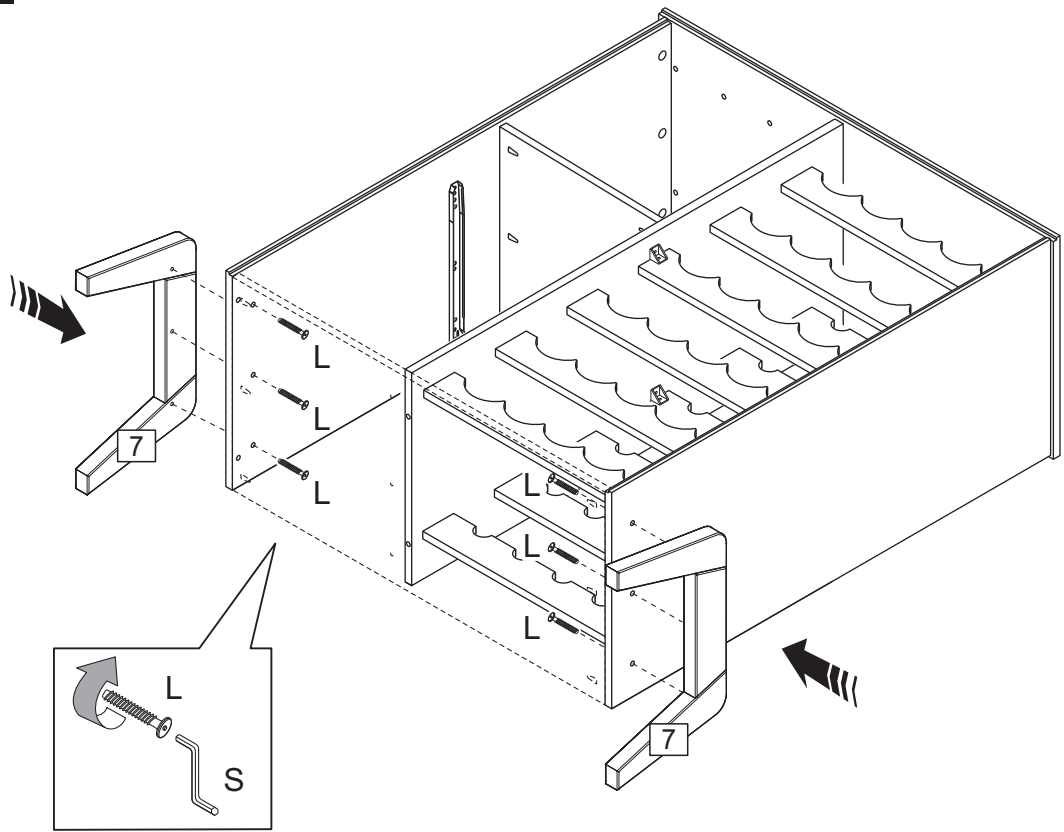


Ø3,5x14mm




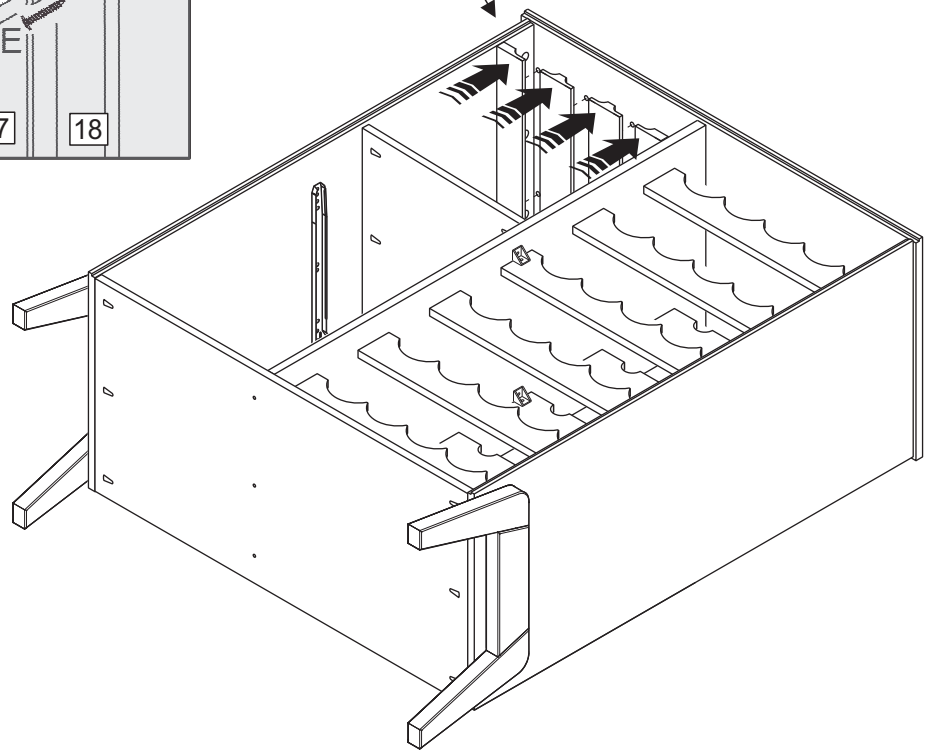
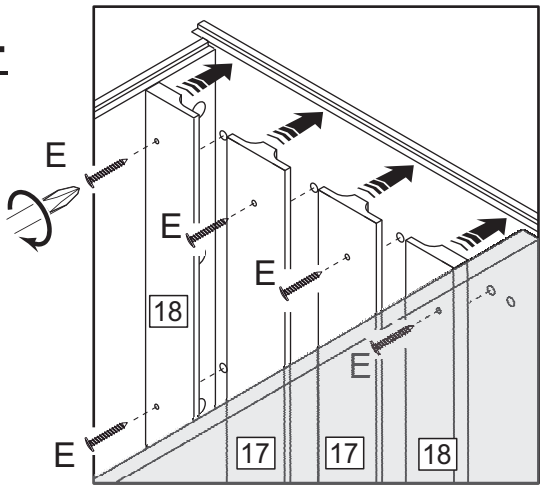
13



Lx6	Sx1
	
Ø7,0x35mm	

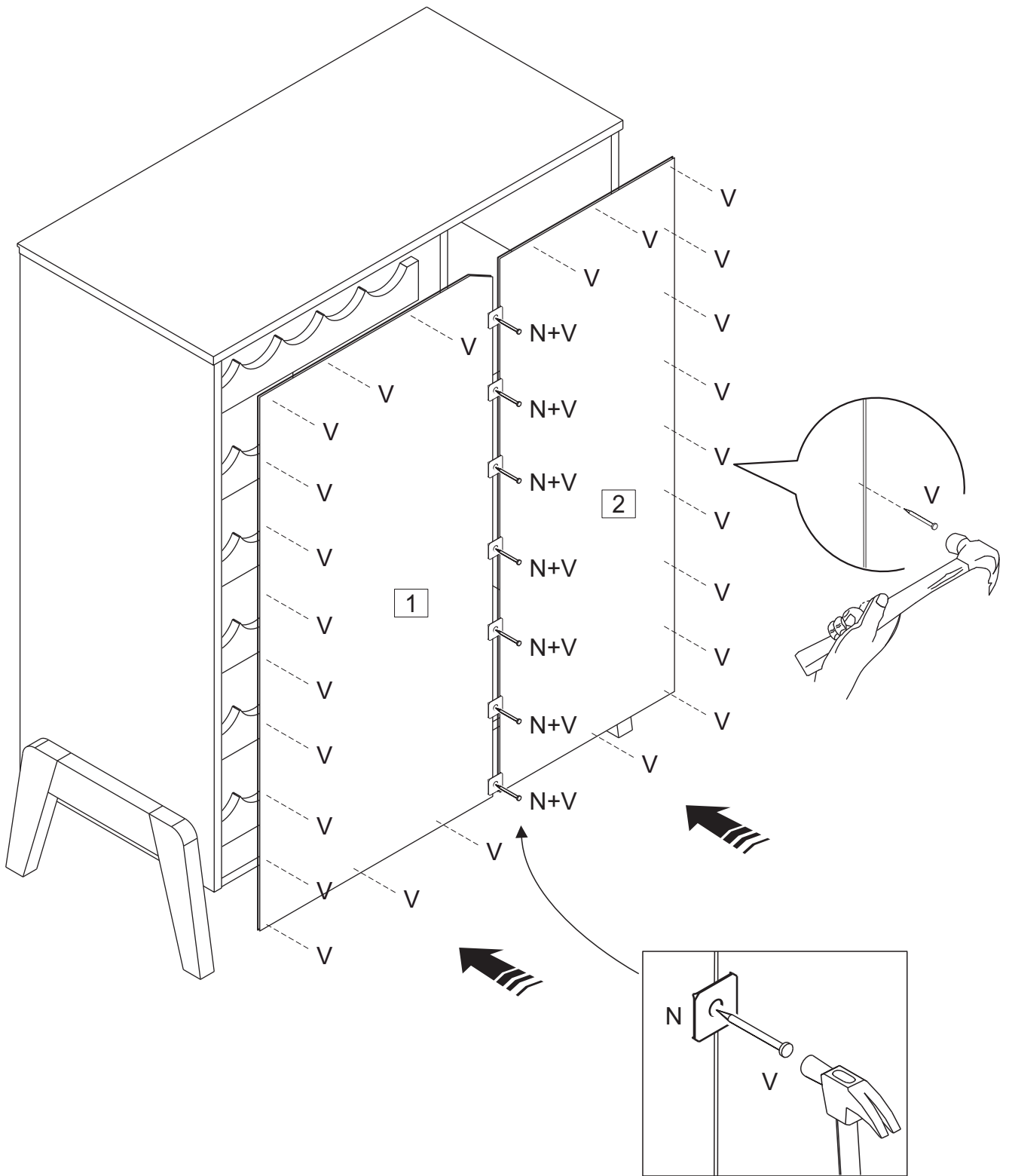


14

Ex8

Ø4,0x25mm



Nx7	Vx42
	



WARNING

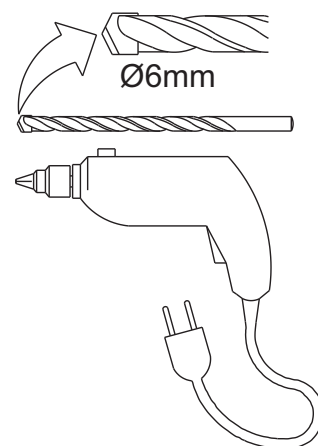
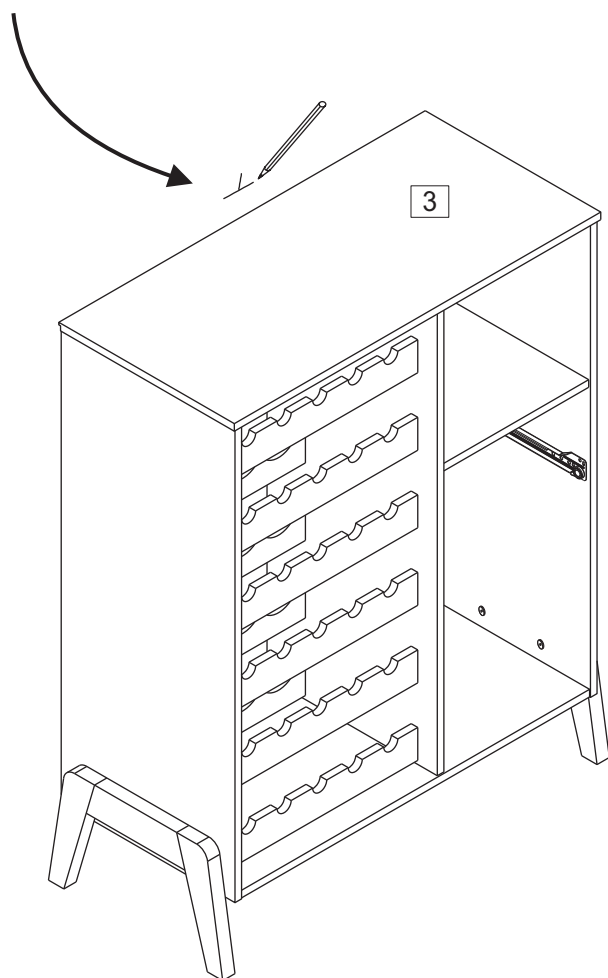
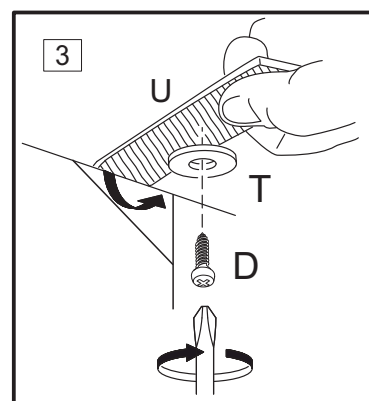
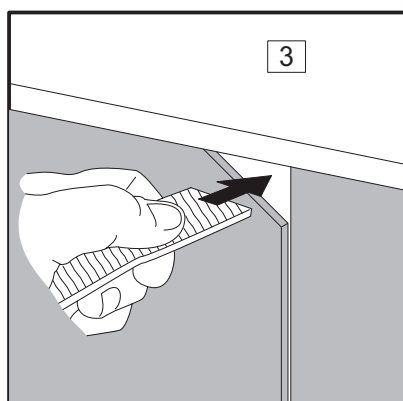
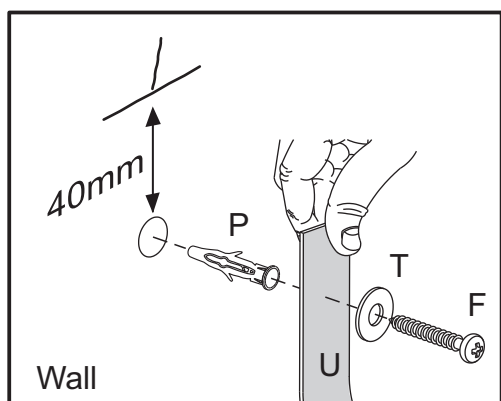
Serious or fatal injuries can occur from furniture tipping over. To prevent the furniture from tipping over we recommend that it is permanently fixed to the wall.


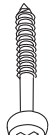



Wall anchor and hardware are included with this product.

Please make sure hardware is suitable for your walls before installing, as different wall materials may require different types of anchors.

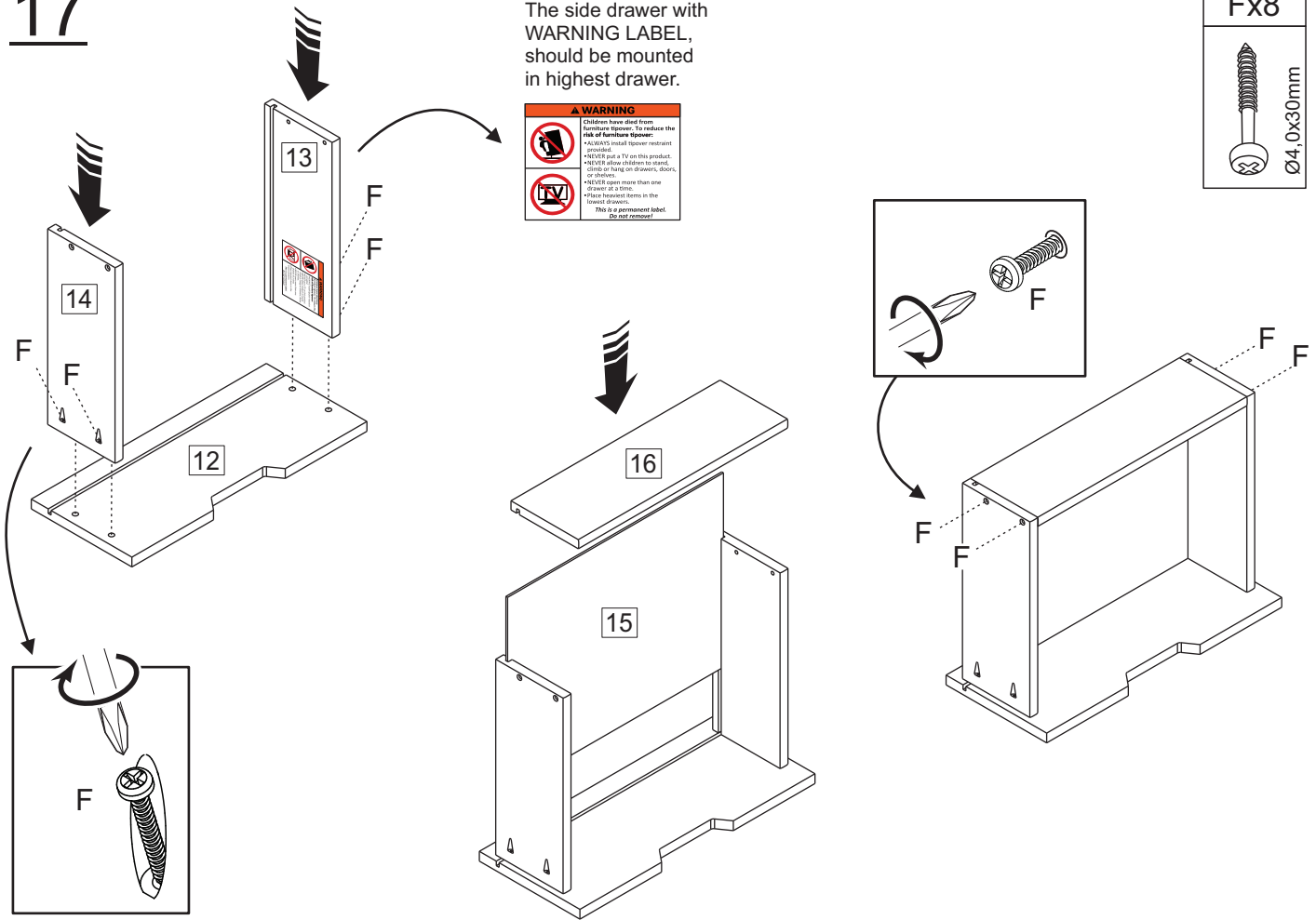
Drill your wall with a 6mm drill (not included) and insert hardware (P), securing wall anchor (U) into washer (T) and screw (F) in the wall.

Attach screw (D) into washer (T), securing wall anchor (U) at the under middle part (3).

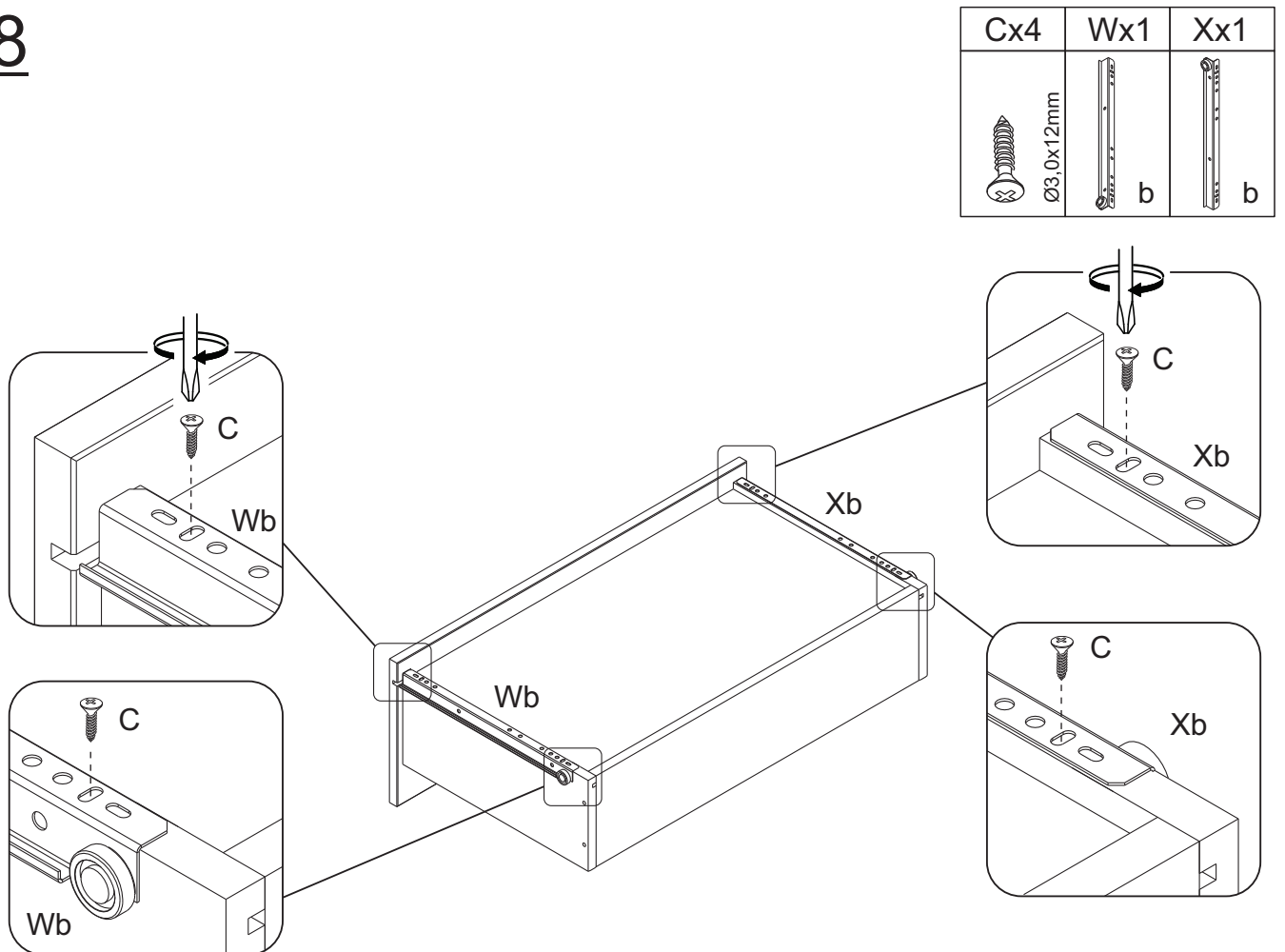


Dx1	Fx1	Ux1	Tx2	Px1
				
Ø3.5x14mm	Ø4.0x30mm			

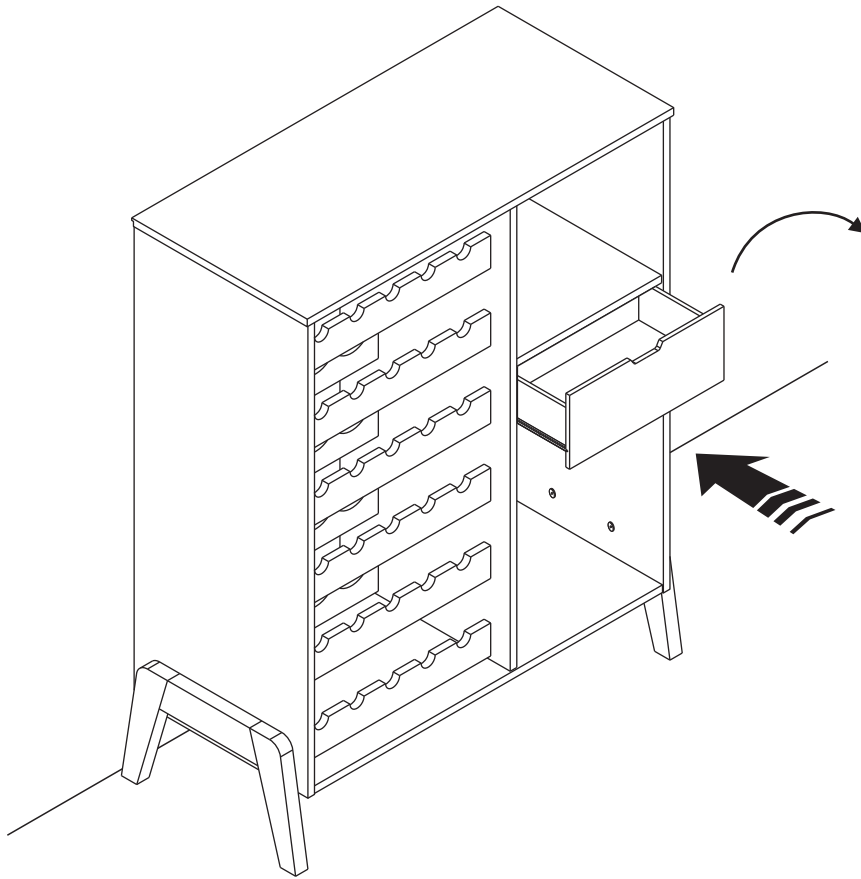
17



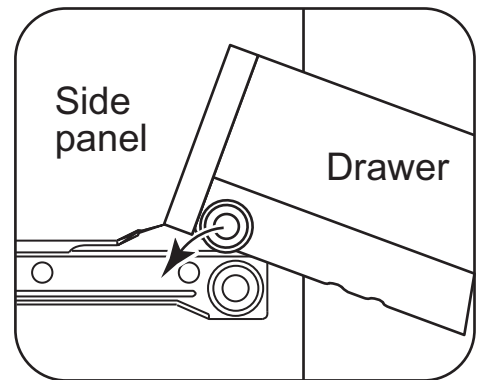
18



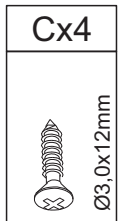
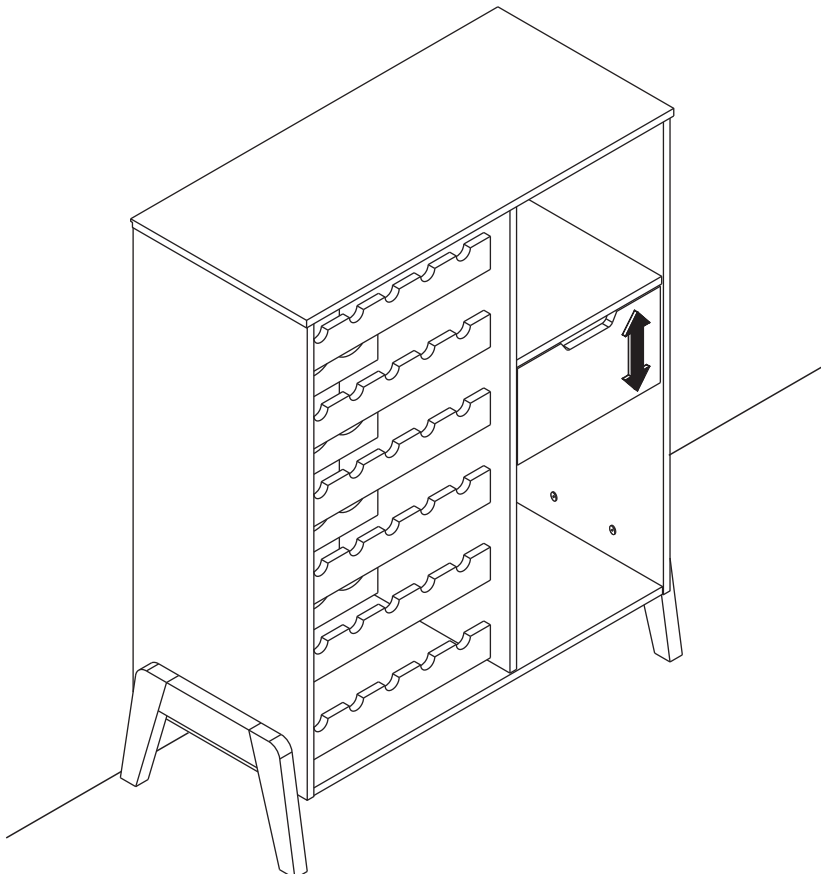
19



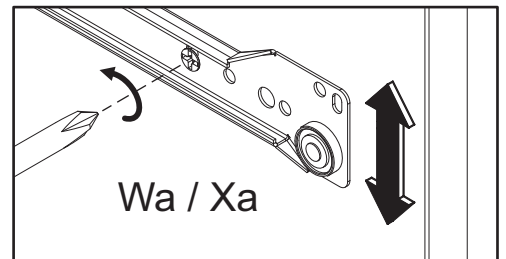
The side drawer with the WARNING LABEL, should be mounted in highest drawer.



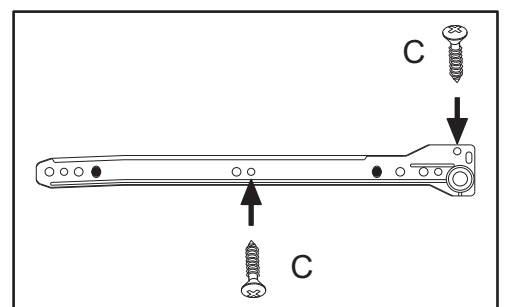
20



a:

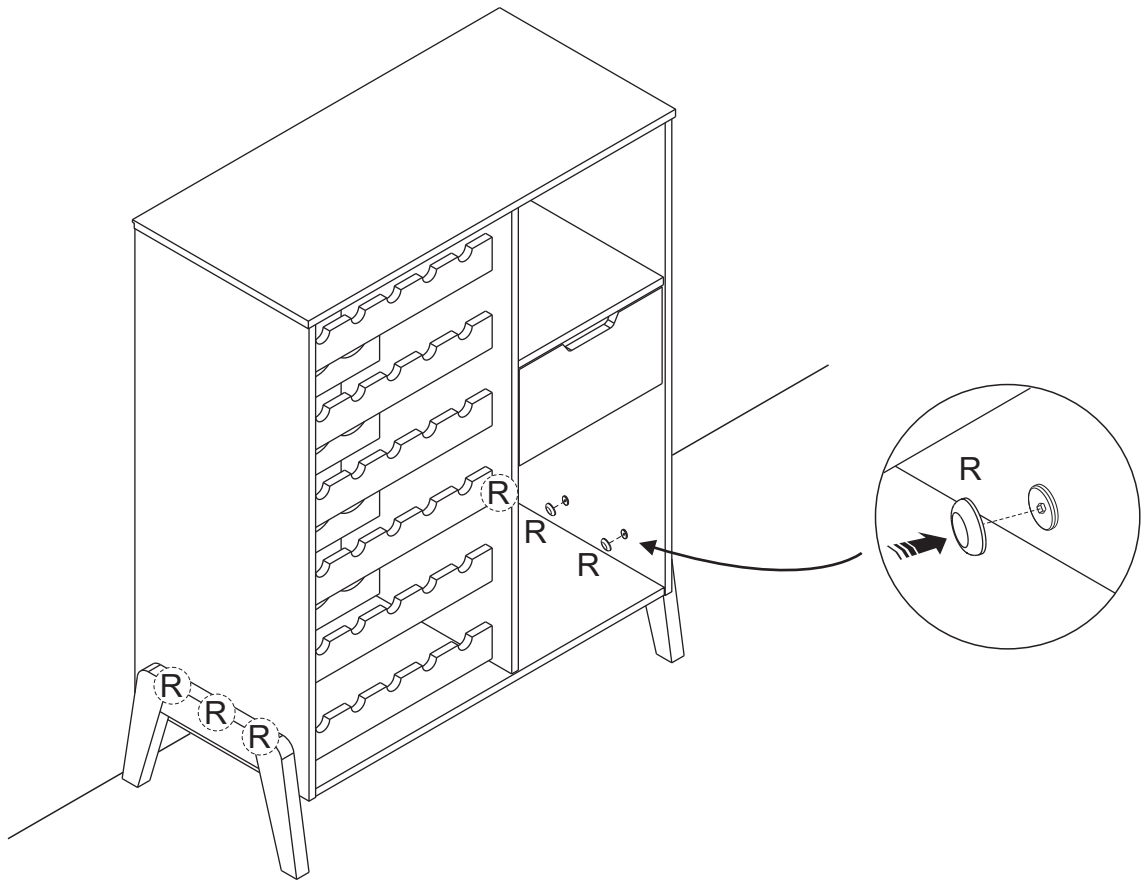


b:



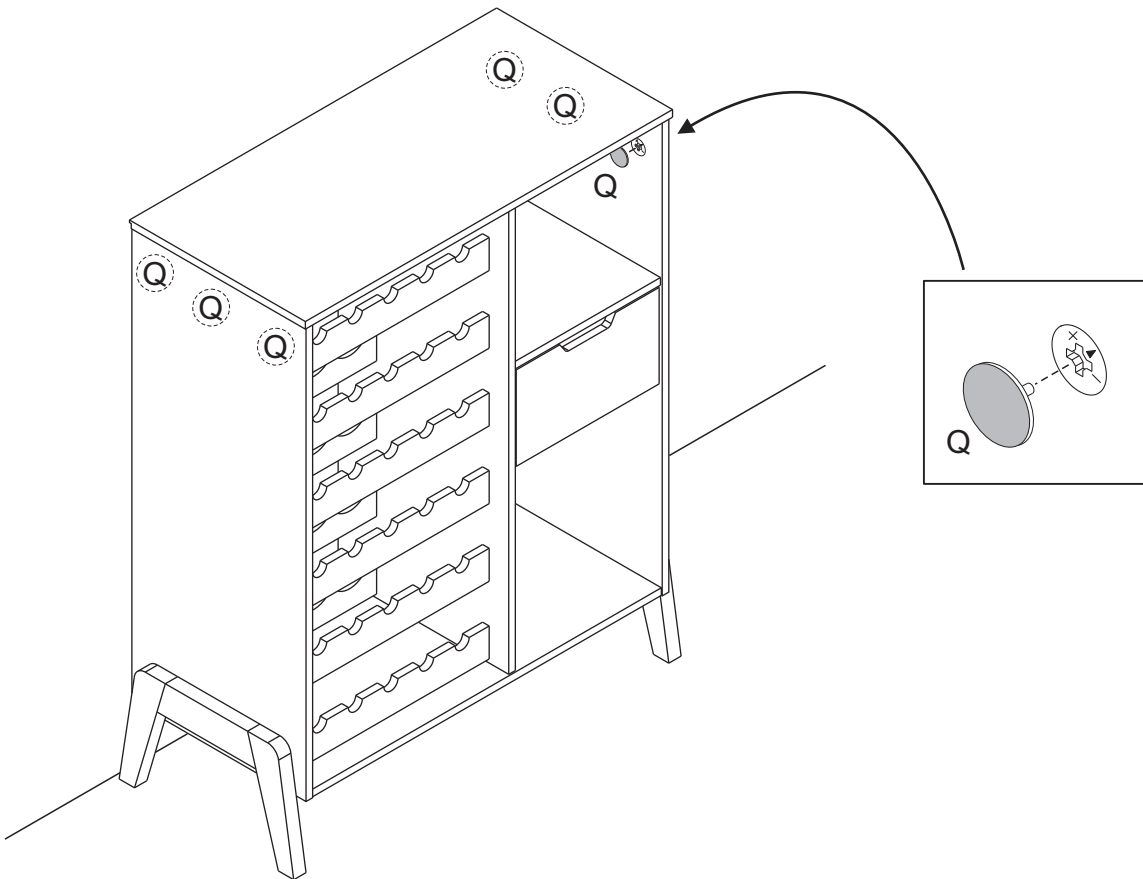
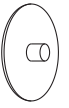
21

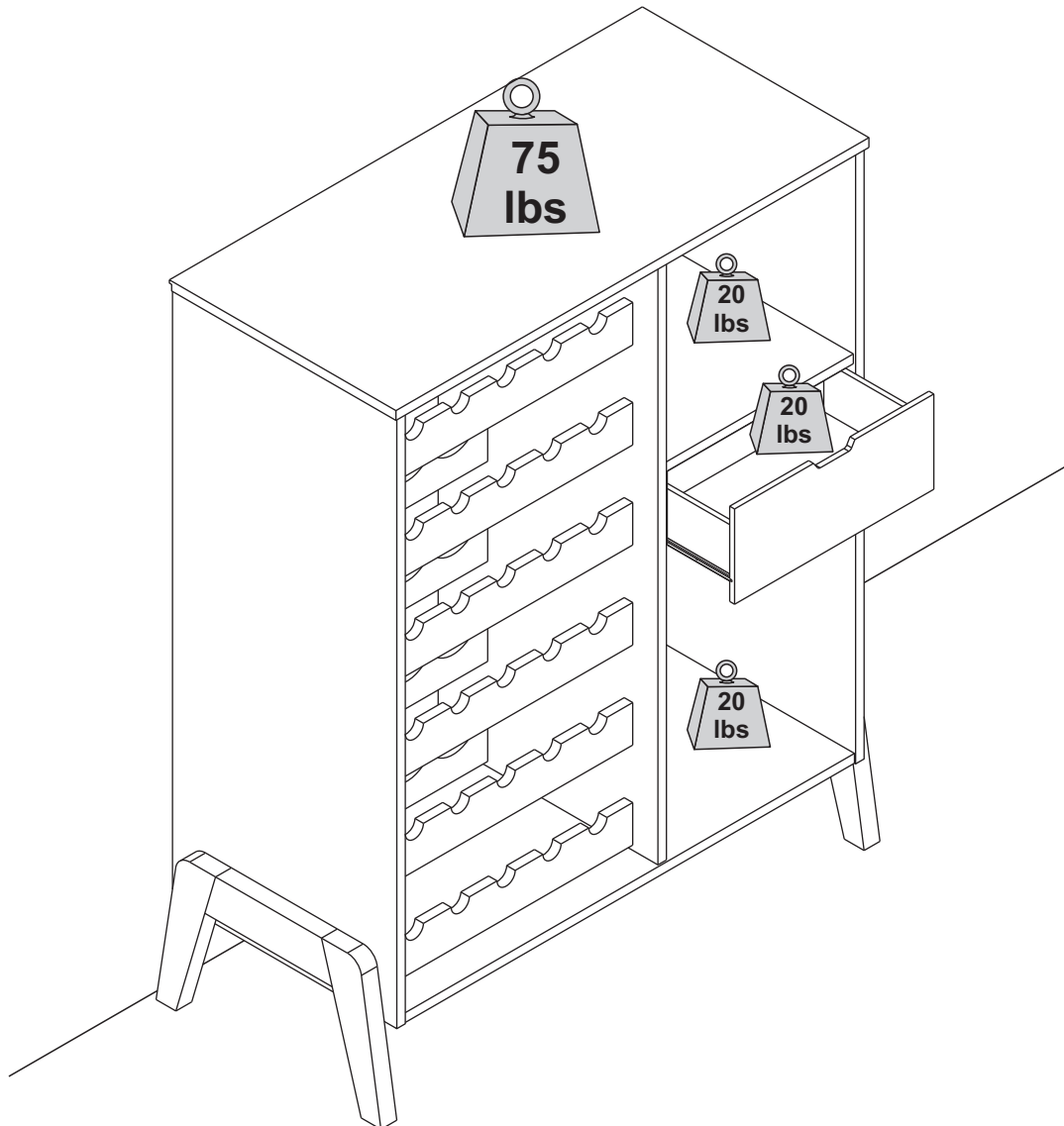
Rx6



22

Qx6





GENERAL CARE & MAINTENANCE

We advise that when cleaning the product that a damp cloth is used.

Avoid the use of all household cleaners and abrasive.

Never push or drag the furniture.

Never attempt to move the furniture when fully loaded.

We advise that periodically all fixing are re-tightened.