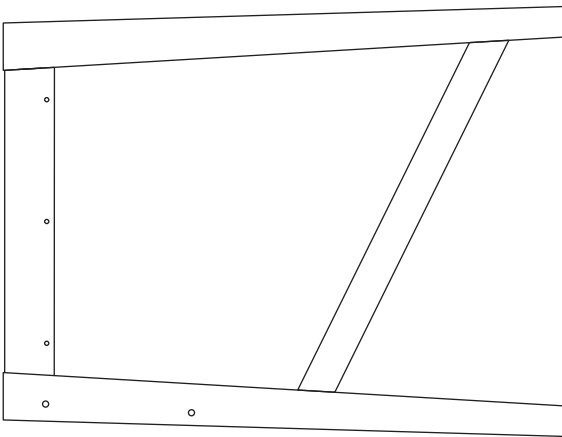


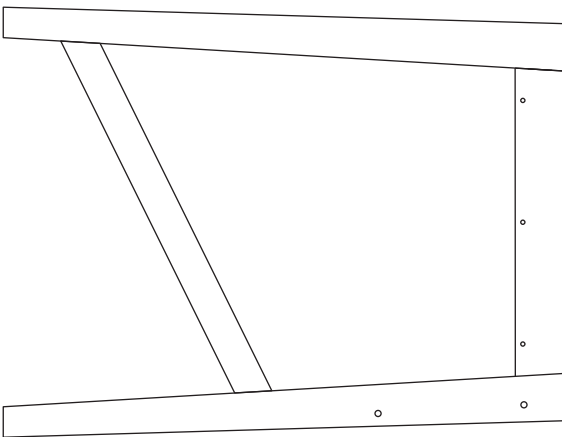
**1** 900 x 600mm



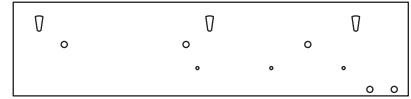
**2** 824 x 300mm



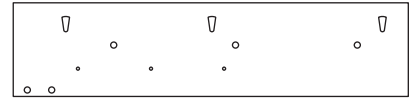
**3** 740 x 565mm



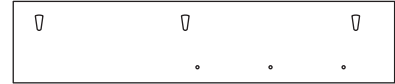
**4** 740 x 565mm



**5** 519 x 123mm



**6** 519 x 123mm



**7** 501 x 107mm



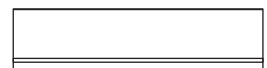
**8** 392 x 100mm (2x)



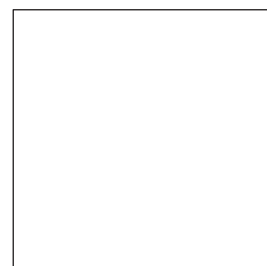
**9** 340 x 80mm (2x)



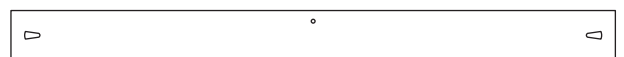
**10** 340 x 80mm (2x)



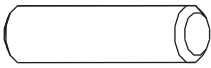
**11** 328 x 80mm (2x)

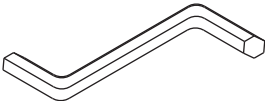



**12** 340 x 340mm (2x)

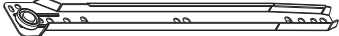
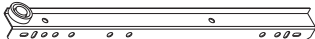


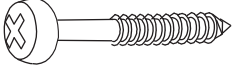
**13** 794 x 65mm

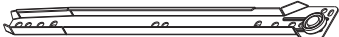
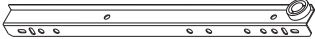
A x 22  Ø8x30mm


F x 1 


B x 8  Ø3,0x12mm

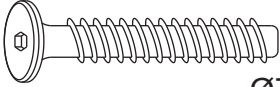
G x 2   
 a    
 b 


C x 32  Ø4,0x30mm

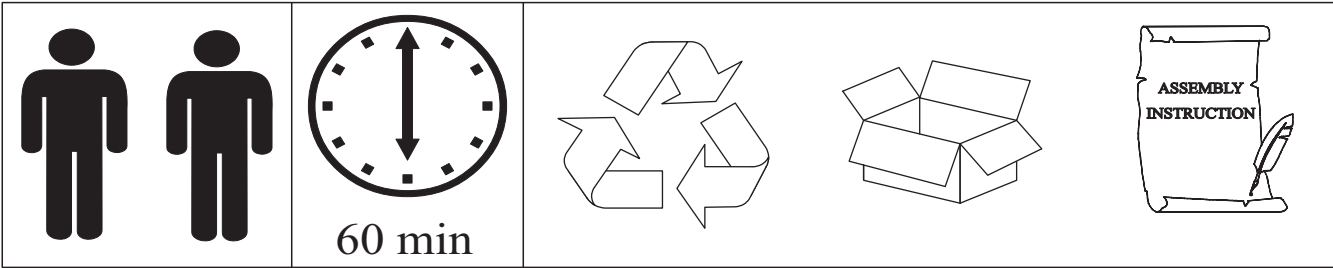
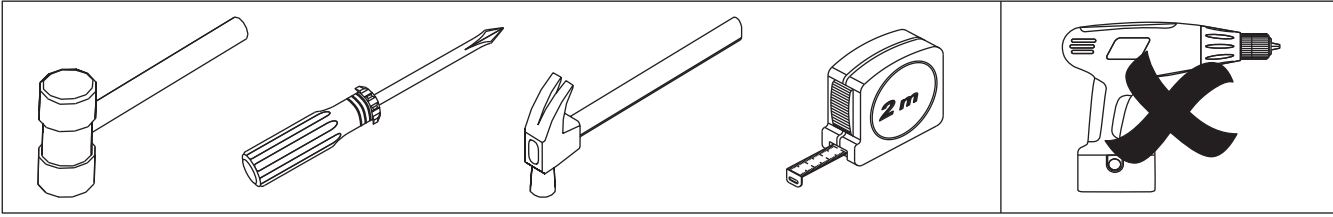
H x 2   
 a    
 b 

D x 6  Ø6,0x8mm

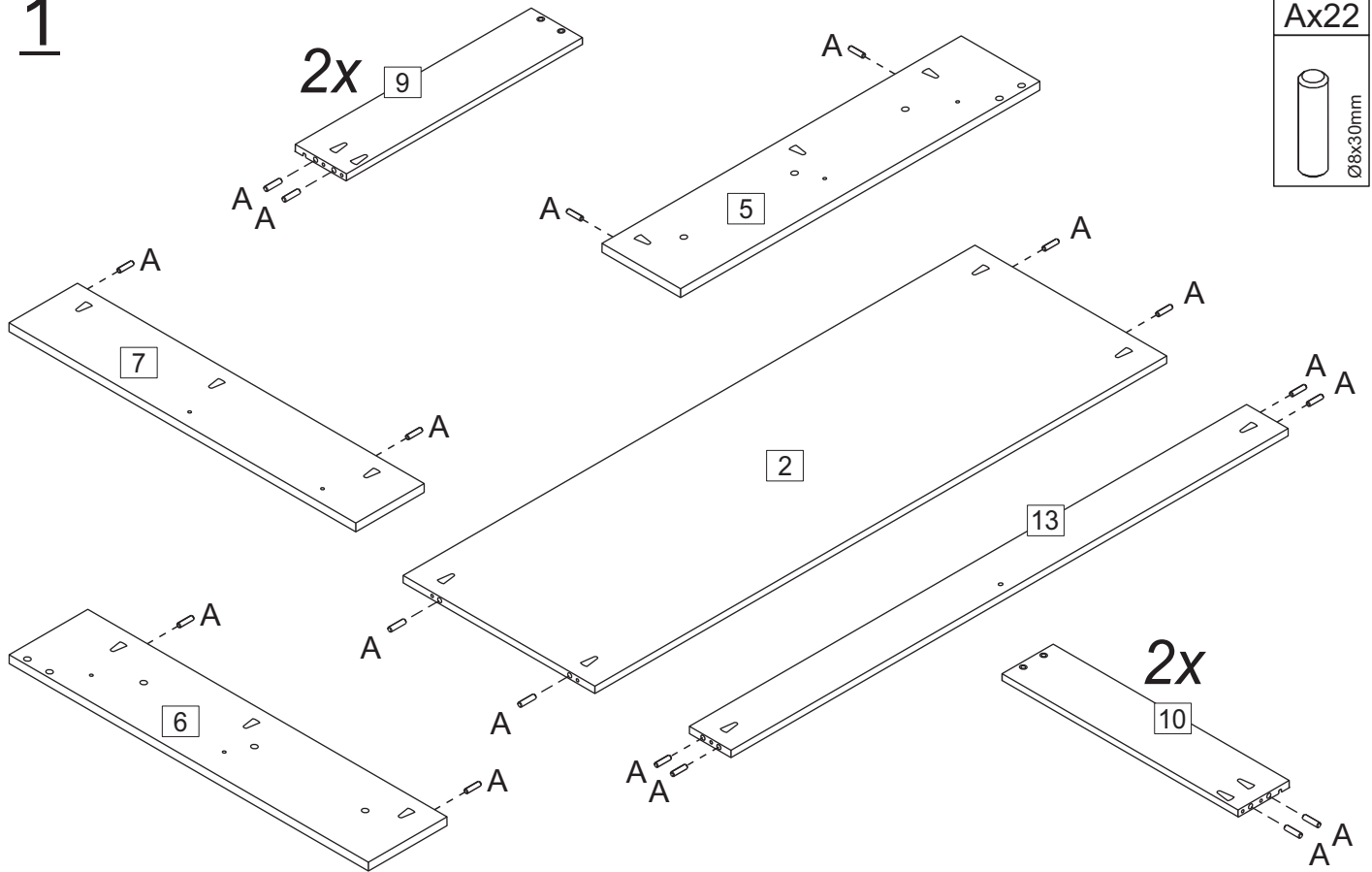
J x 6  Ø6,0x20mm

E x 6  Ø7,0x35mm

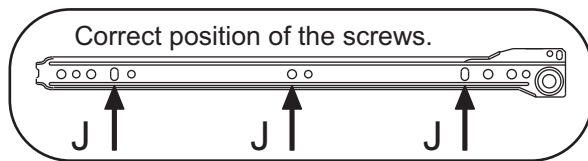
K x 6 







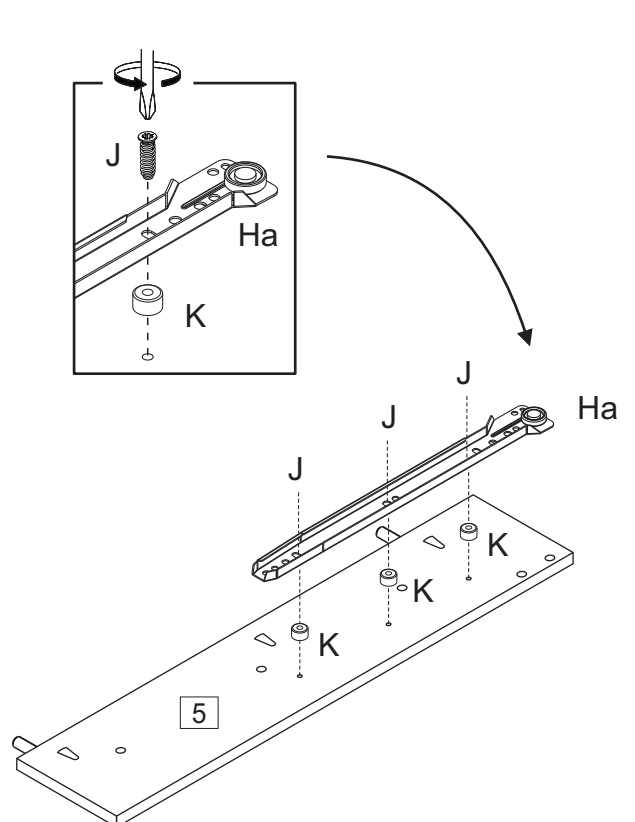
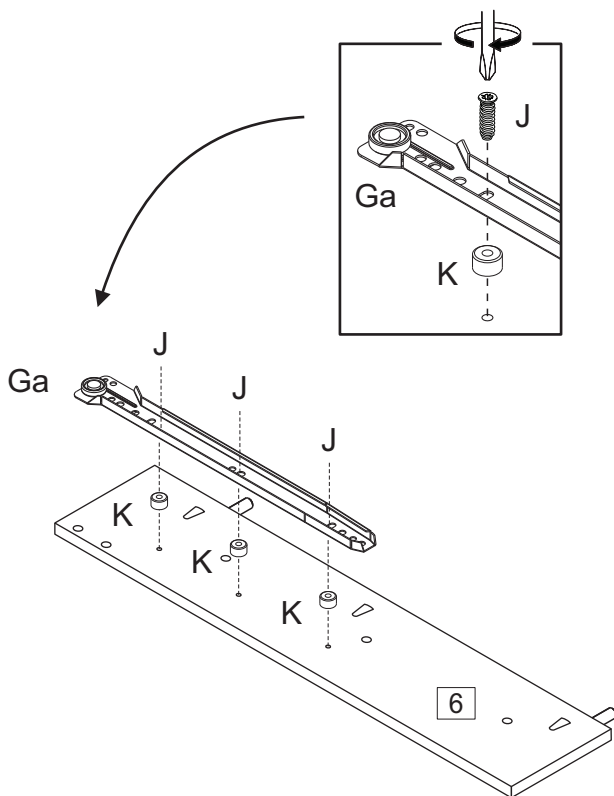
# 1



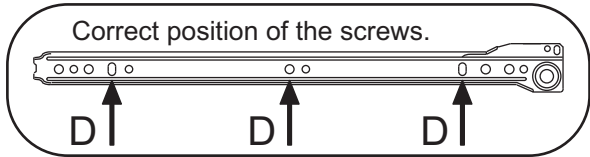
# 2






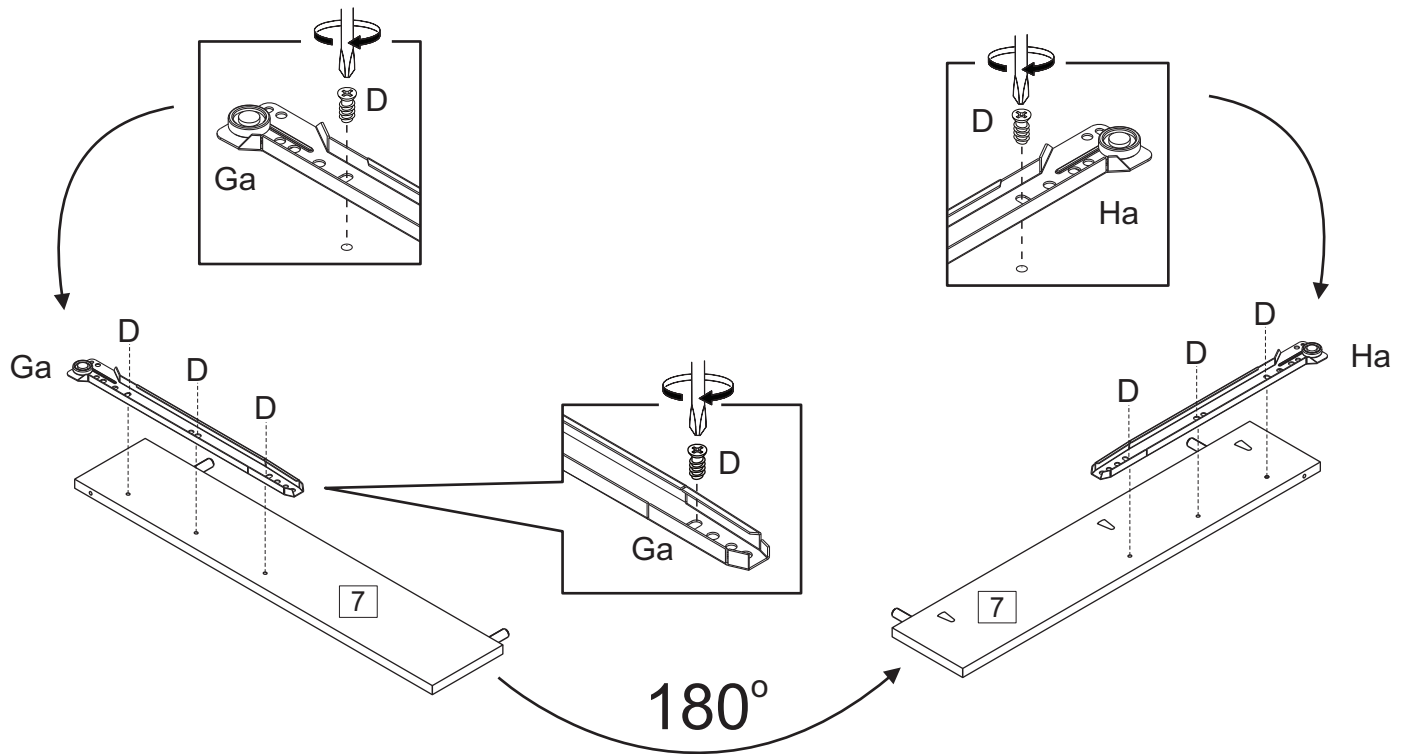
Gx1	Hx1	Jx6	Kx6
			
a	a	Ø6.0x20mm	



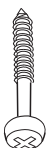
# 3

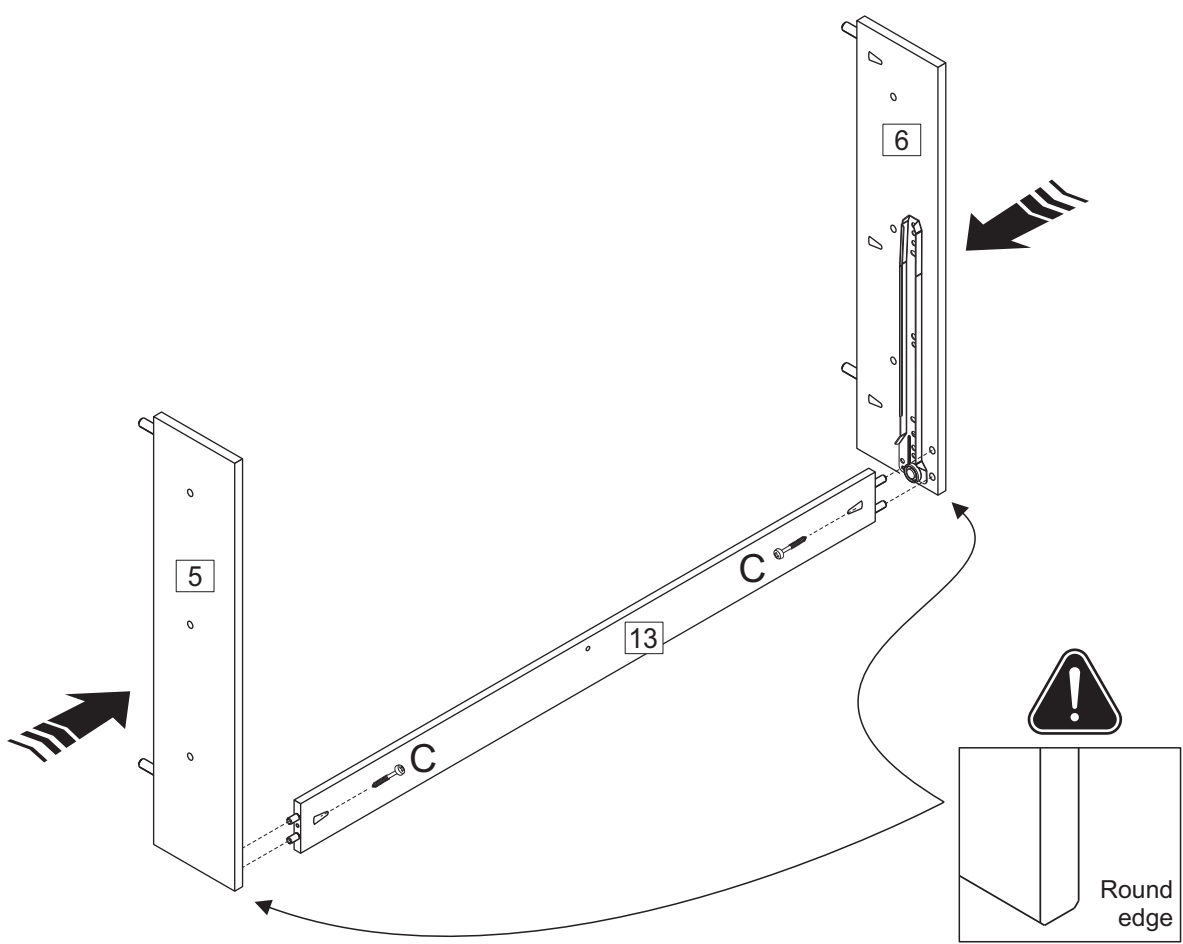


Dx6	Gx1	Hx1
 Ø6,0x8mm	 a	 a



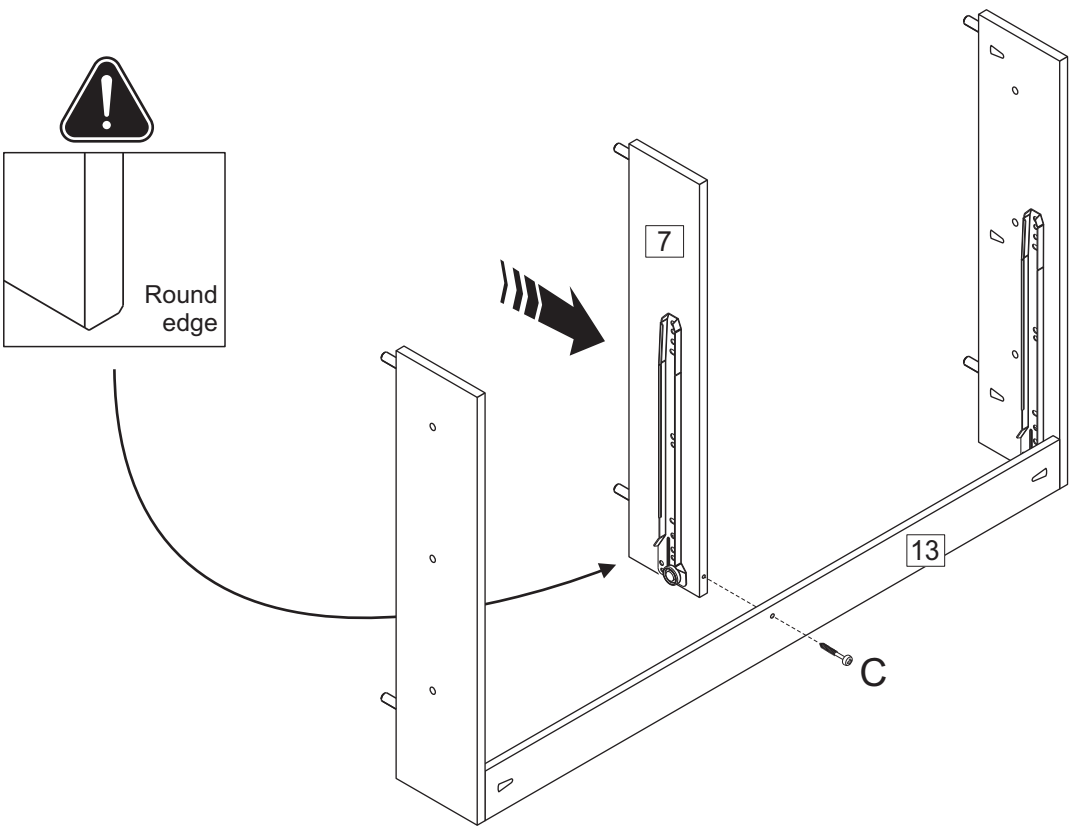
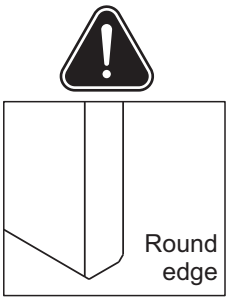
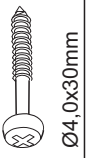
# 4

Cx2
 Ø4,0x30mm



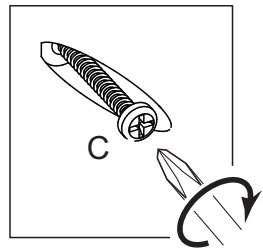
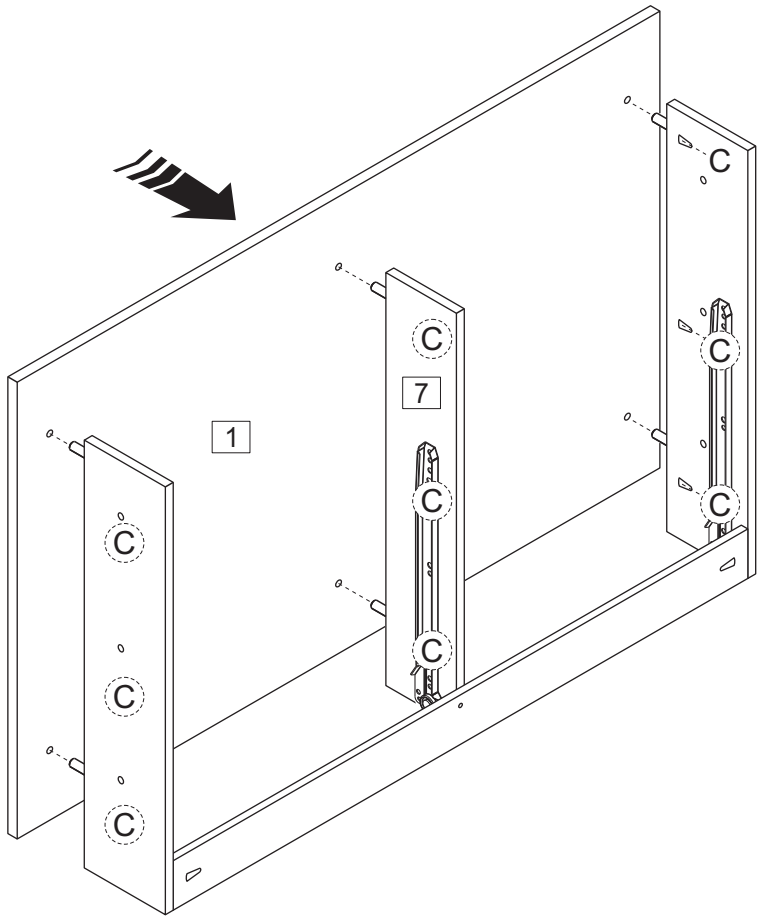
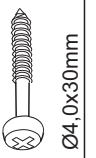
**5**

Cx1

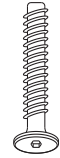
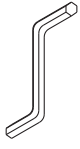


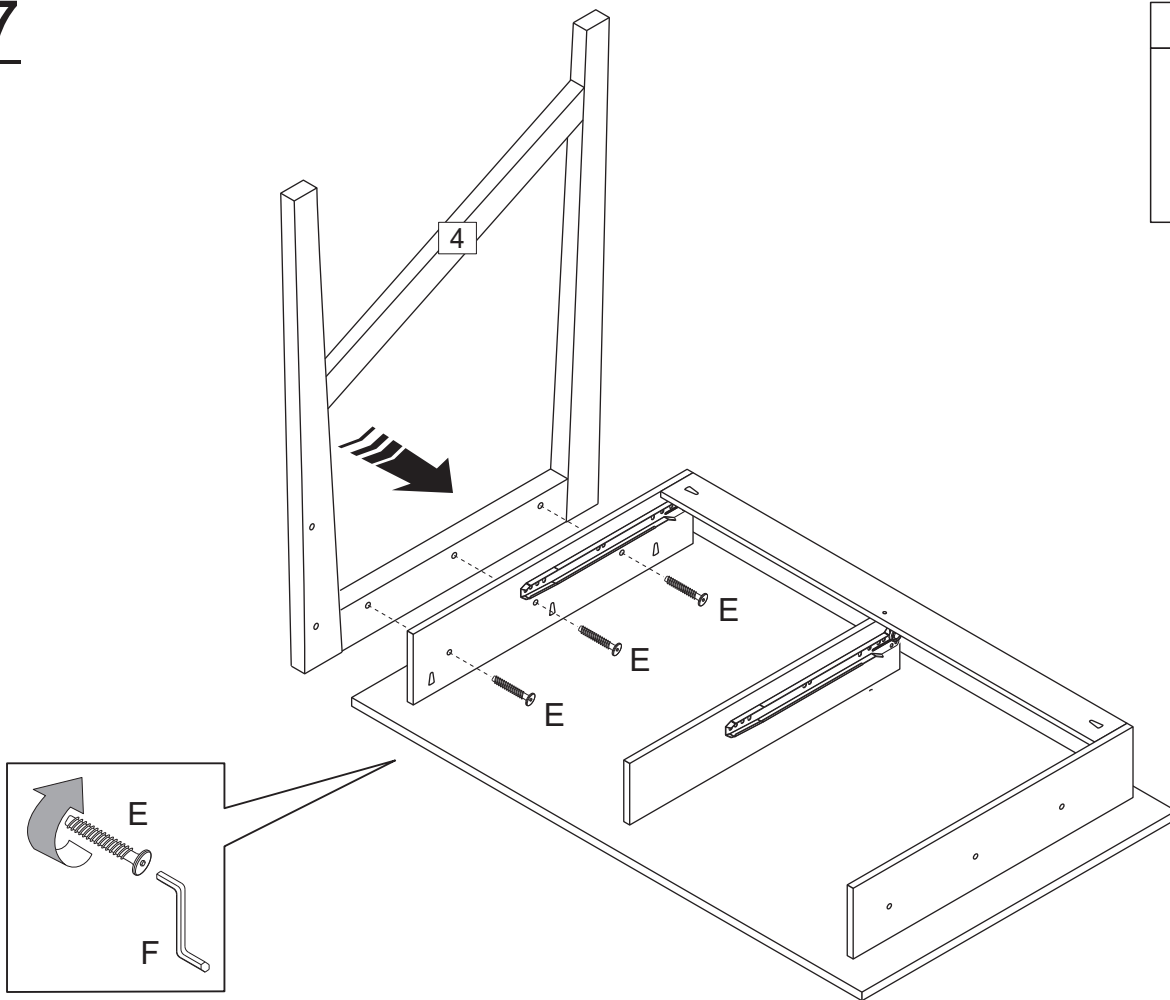
**6**

Cx9

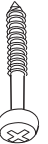


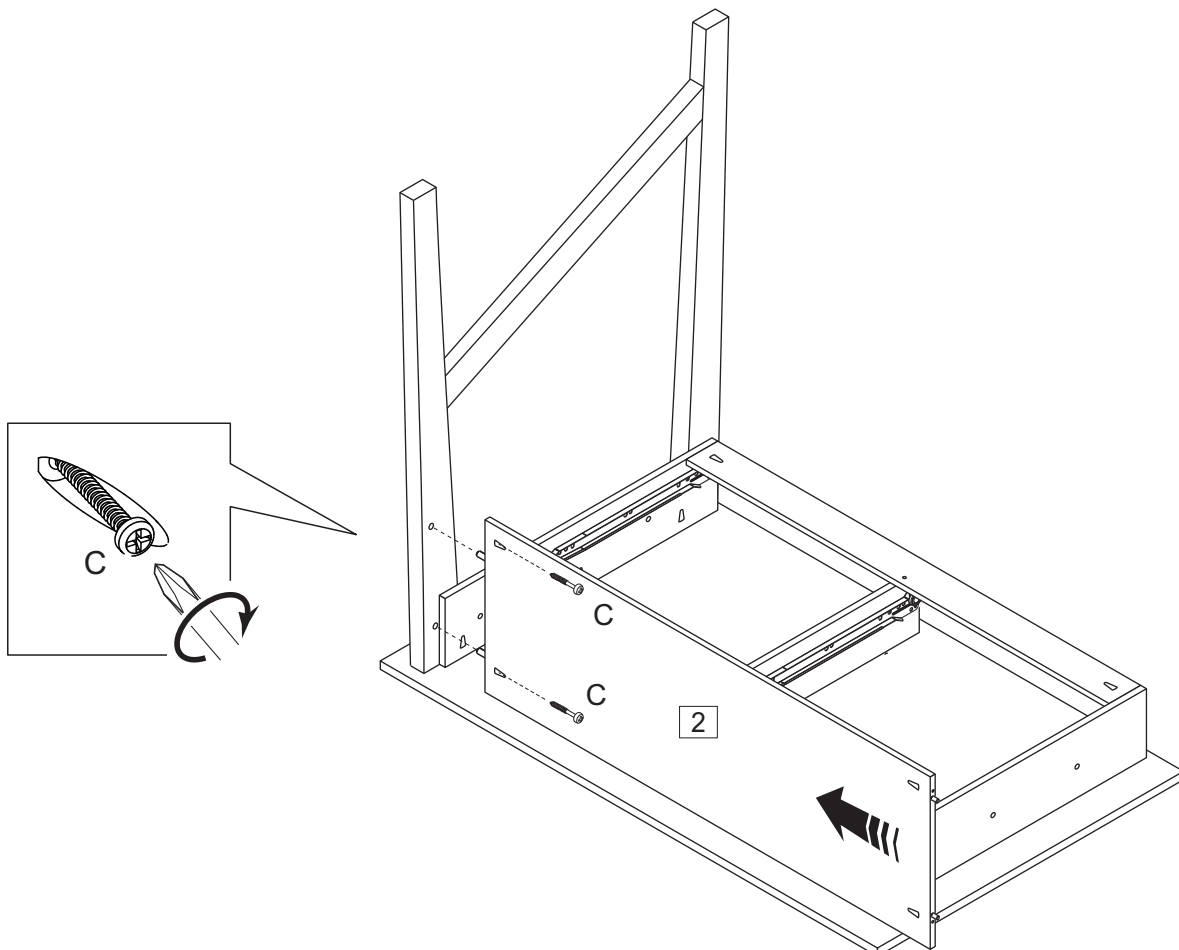
# 7

Ex3	Fx1
	
Ø7,0x35mm	

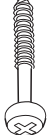
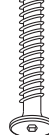



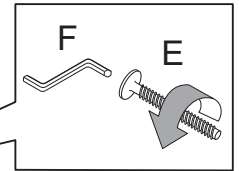
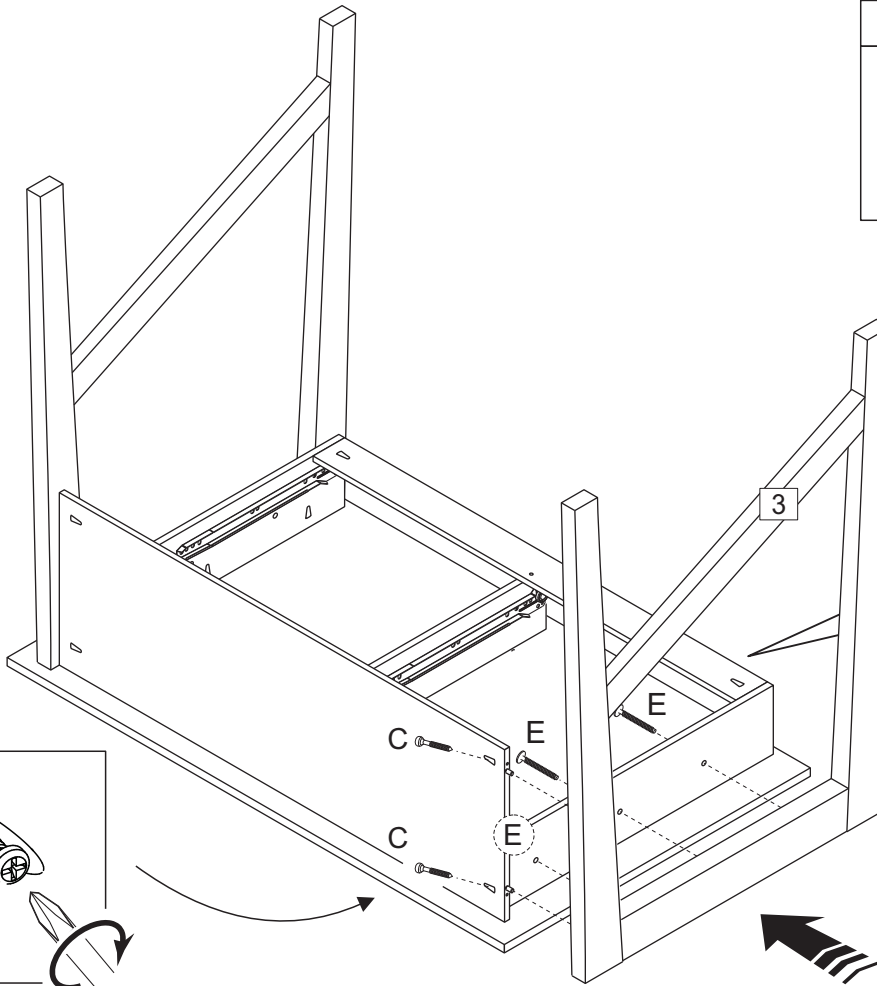
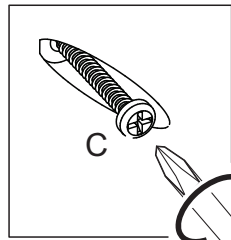
# 8

Cx2

Ø4,0x30mm



9

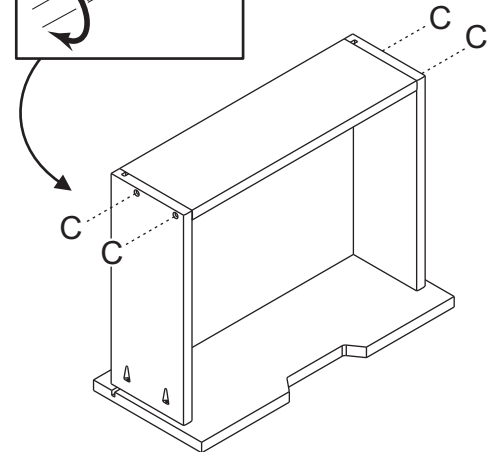
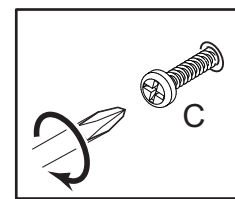
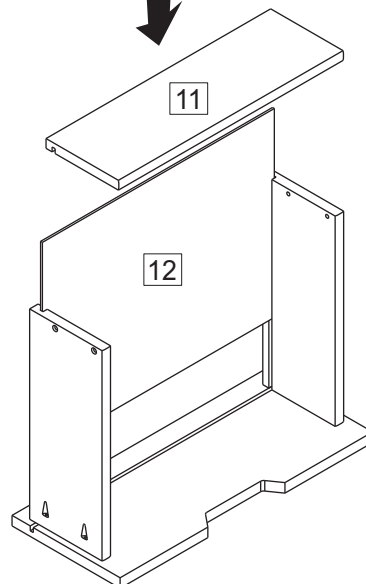
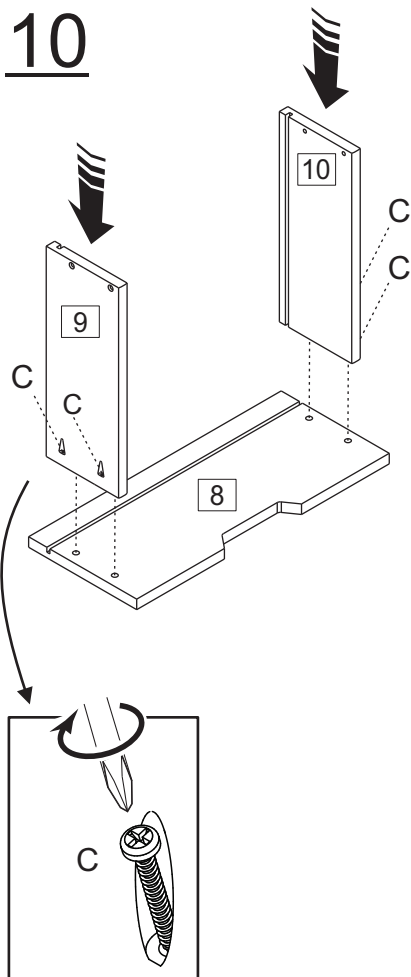
Cx2	Ex3	Fx1
 Ø4,0x30mm	 Ø7,0x35mm	



10




2x

Cx16
 Ø4,0x30mm

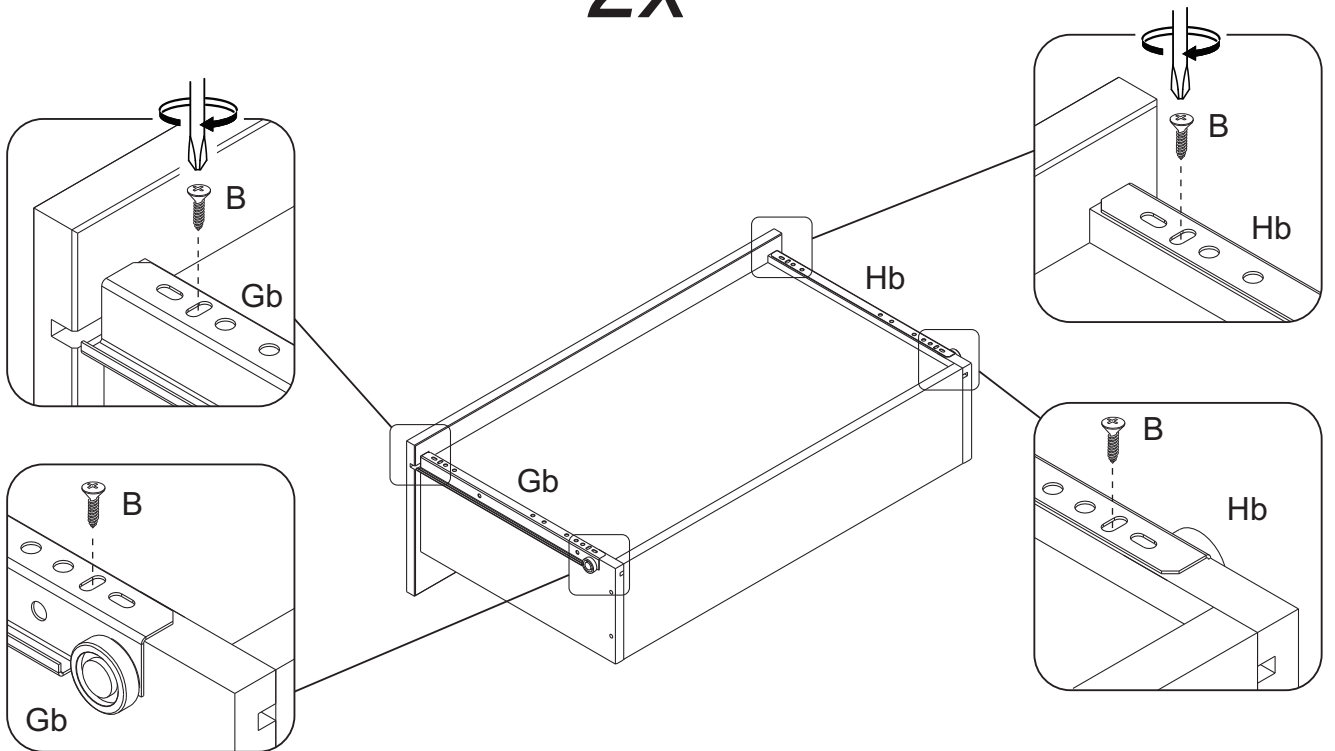




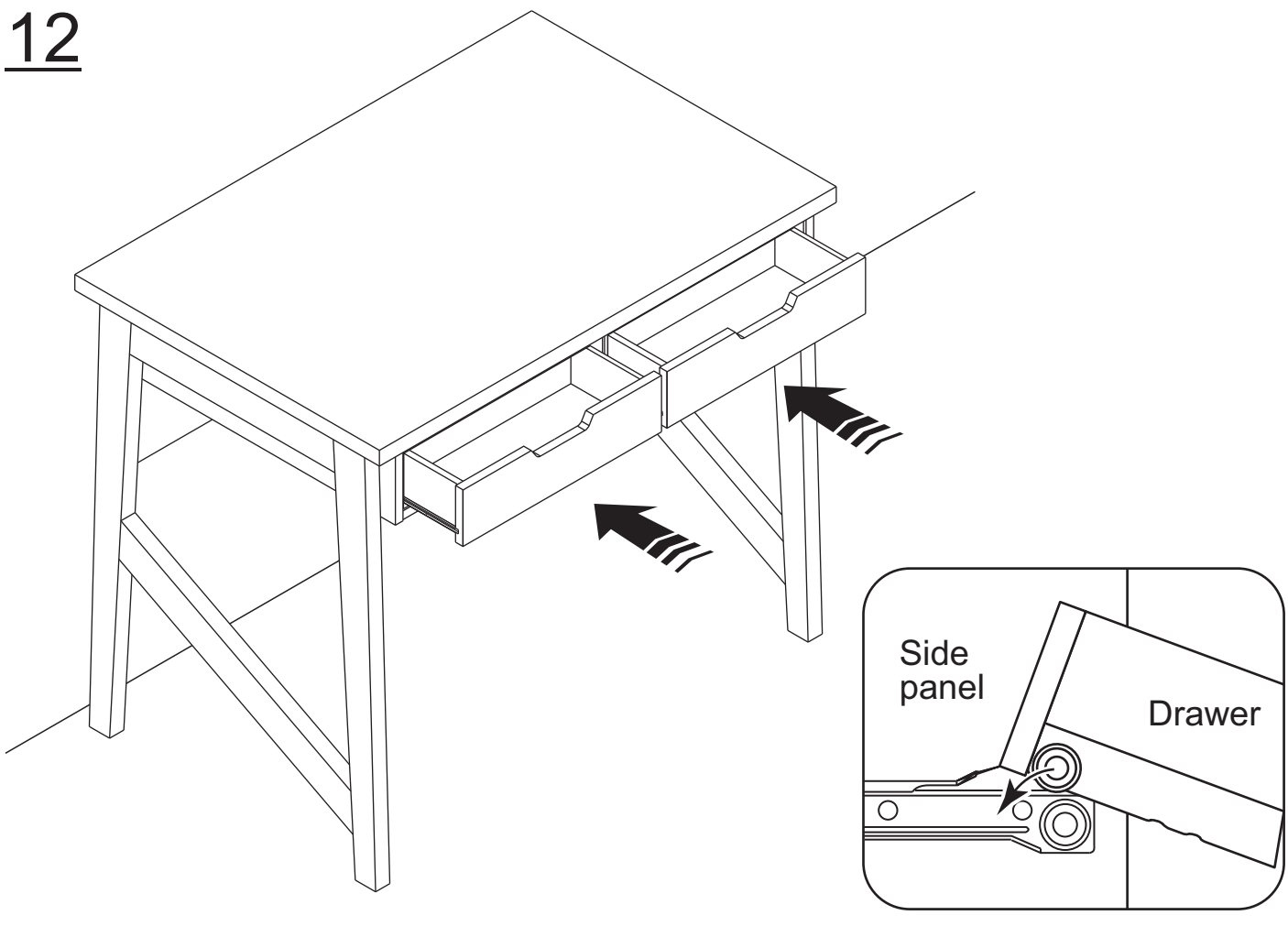
11

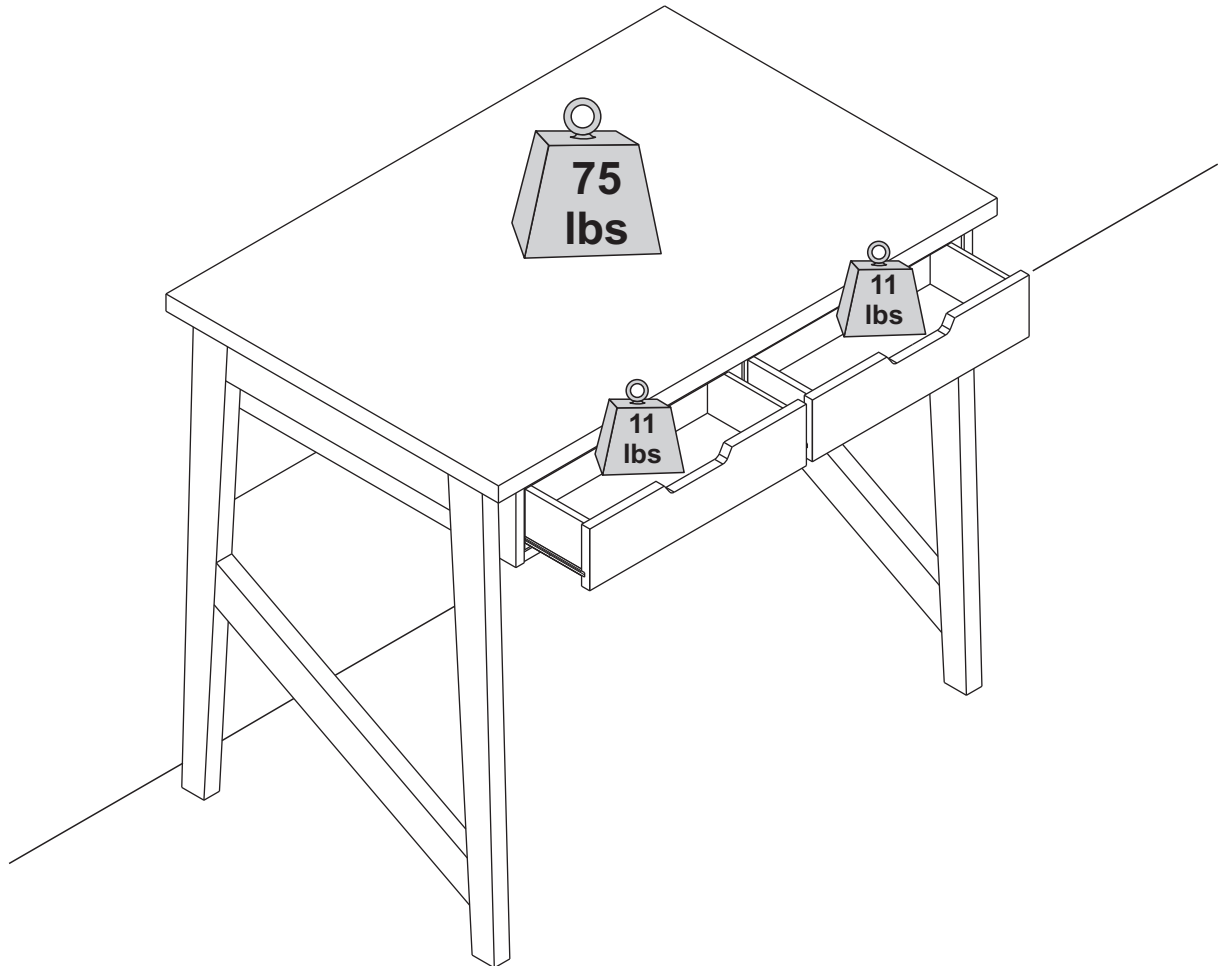
Bx8	Gx2	Hx2
		
Ø3,0x12mm	b	b

2x



12





**GENERAL CARE & MAINTENANCE**

We advise that when cleaning the product that a damp cloth is used.

Avoid the use of all household cleaners and abrasive.

Never push or drag the furniture.

Never attempt to move the furniture when fully loaded.

We advise that periodically all fixing are re-tightened.